

Priport Silver-V
(C237)
PARTS CATALOG

First edition, July 2000

Ricoh Company, LTD.

Priport Silver-V (C237)

PARTS CATALOG

This catalog gives the numbers and names of parts on this machine.

CONTENTS

Silver-V

(C237)

Priport Silver-V (C237)

Priport Silver-V (C237)

PARTS CATALOG

This catalog gives the numbers and names of parts on this machine.

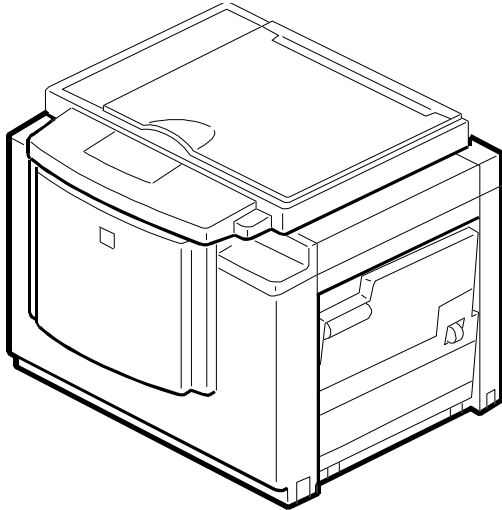
CONTENTS

Location of Unit	2	17.Delivery Table (C237).....	38
1.Exterior 1 (C237)	6	18.Master Eject unit (C237).....	40
2.Exterior 2 (C237)	8	19.Drive Section (C237)	42
3.ADF Unit 1 (C237).....	10	20.Electrial Section 1 (C237).....	44
4.ADF Unit 2 (C237).....	12	21.Electrial Section 2 (C237).....	46
5.Scanner Section 1 (C237).....	14	22.Frame Section 1 (C237)	48
6.Scanner Section 2 (C237).....	16	23.Frame Section 2 (C237)	50
7.Paper Table Section (C237).....	18	24.MPU Board (C237)	52
8.Paper Feed Section (C237).....	20	25.Decal And Document (C237).....	60
9.Paper Resistration (C237).....	22	26.Accessories And Special Tools (C237)	62
10.Plotter Unit 1 (C237).....	24	Parts Index	65
11.Plotter Unit 2 (C237).....	26		
12.Press Roller Section (C237).....	28		
13.Drum Unit 1 (C237)	30		
14.Drum Unit 2 (C237)	32		
15.Drum Unit 3 (C237)	34		
16.Vacuume Fan Unit (C237).....	36		

July ,31 ' 2000

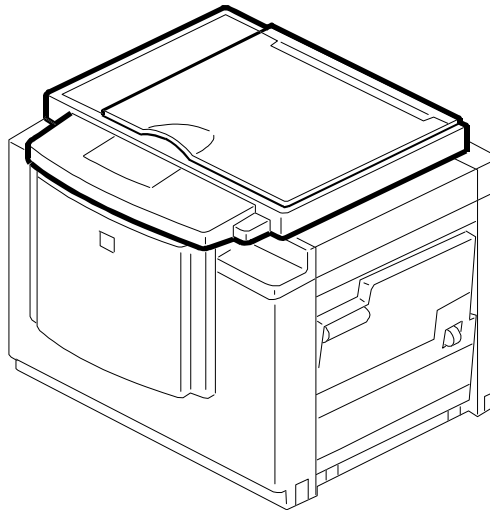
LOCATIONS OF UNITS

1. Exterior 1 (C237)



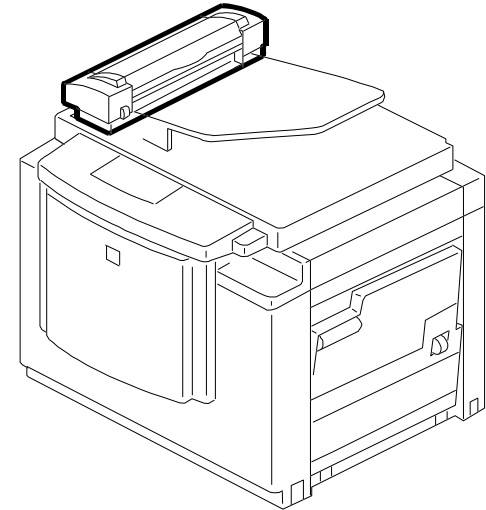
See Page 7

2. Exterior 2 (C237)



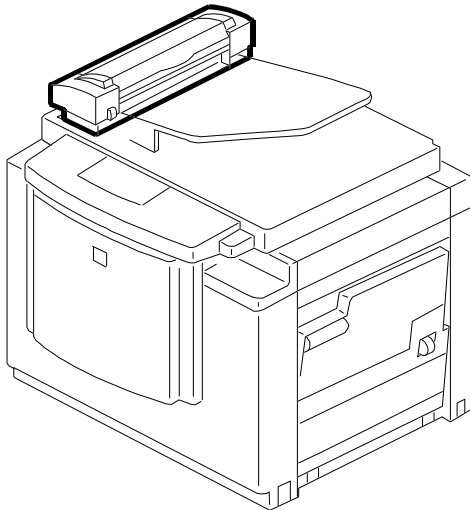
See Page 9

3. ADF Unit 1 (C237)



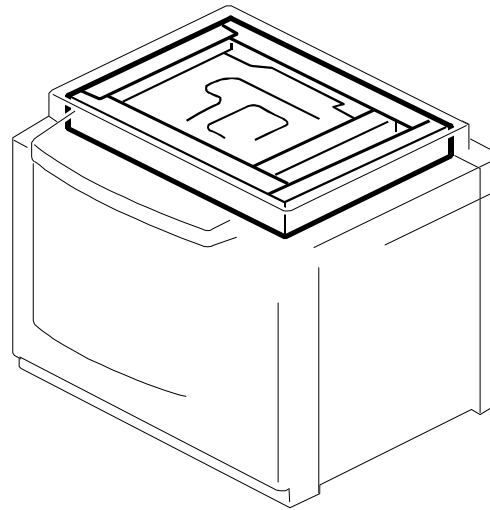
See Page 11

4. ADF Unit 2 (C237)



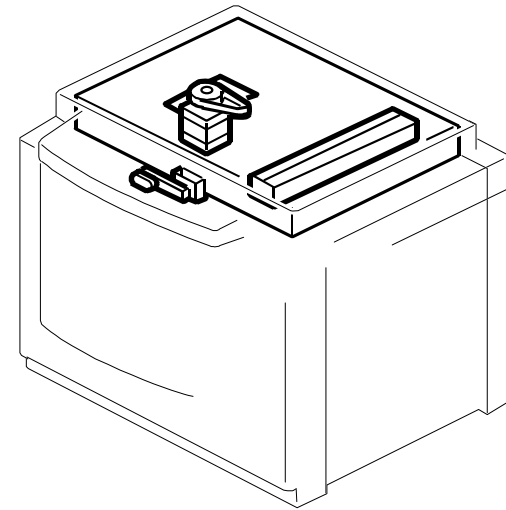
See Page 13

5. Scanner Section 1 (C237)



See Page 15

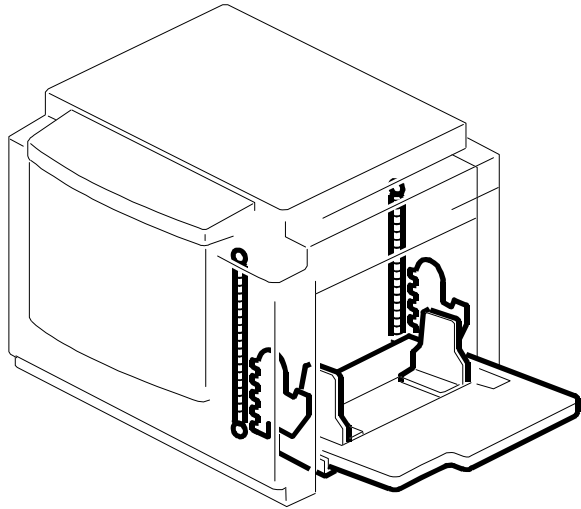
6. Scanner Section 2 (C237)



See Page 17

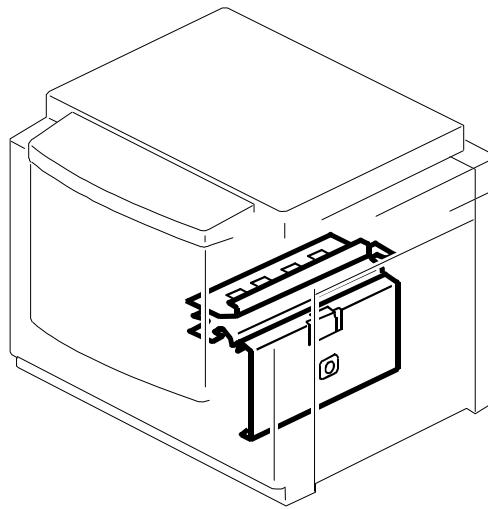
LOCATIONS OF UNITS

7. Paper Table Section (C237)



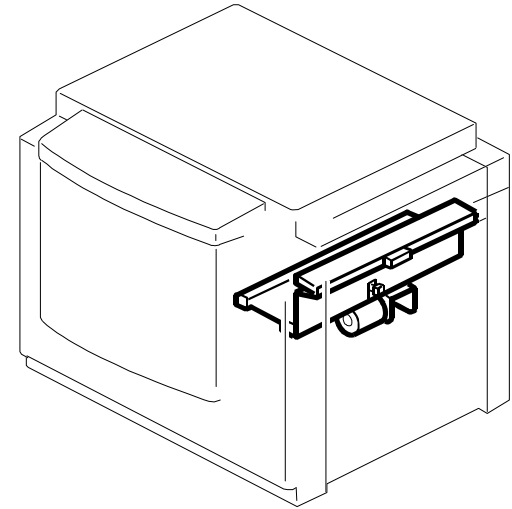
See Page 19

8. Paper Feed Section (C237)



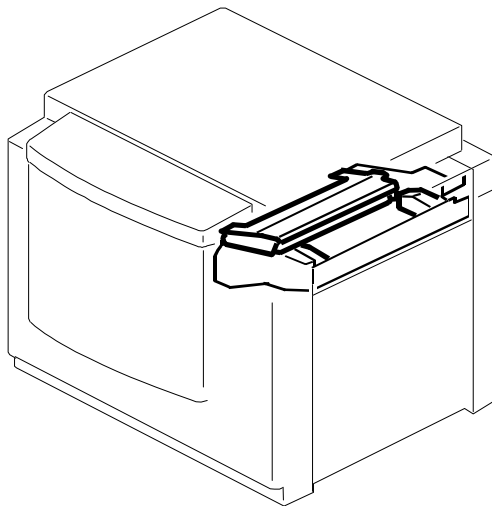
See Page 21

9. Paper Resistration (C237)



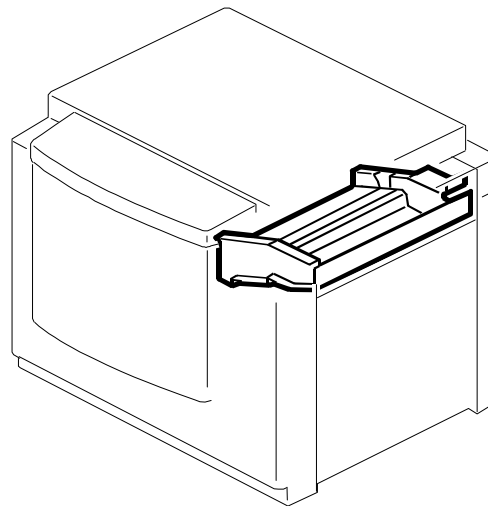
See Page 23

10. Plotter Unit 1 (C237)



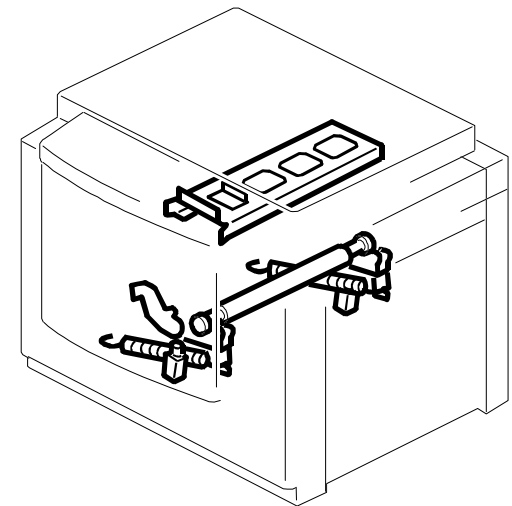
See Page 25

11. Plotter Unit 2 (C237)



See Page 27

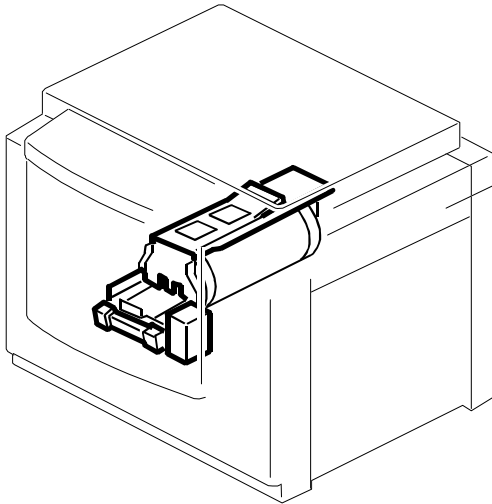
12. Press Roller Section (C237)



See Page 29

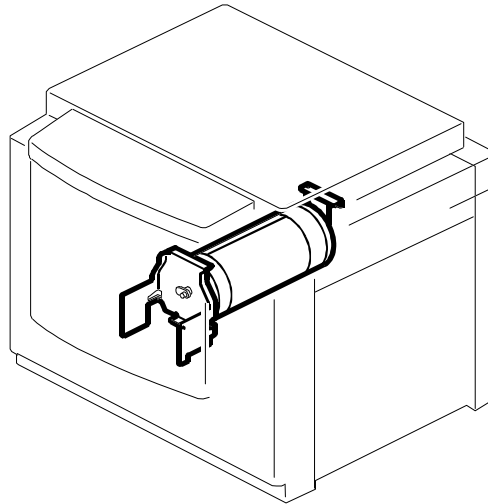
LOCATIONS OF UNITS

13. Drum Unit 1 (C237)



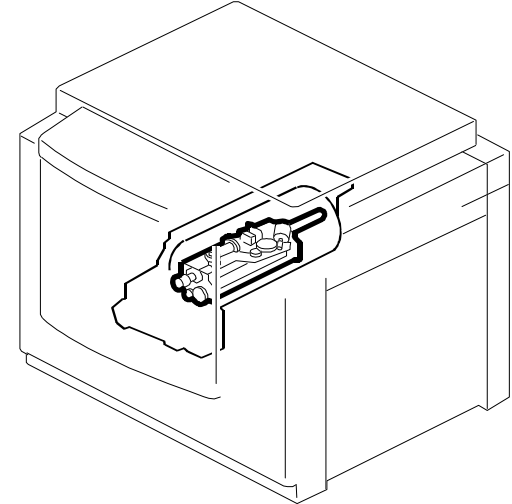
See Page 31

14. Drum Unit 2 (C237)



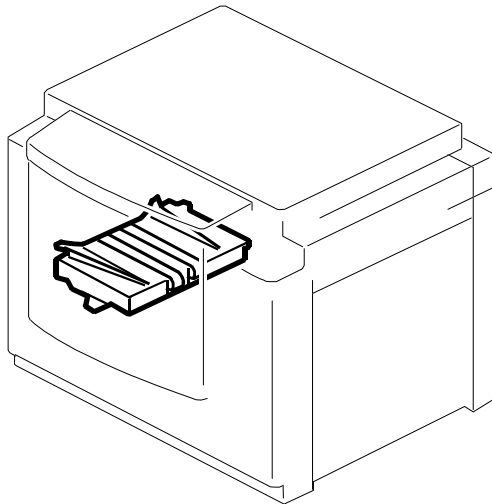
See Page 33

15. Drum Unit 3 (C237)



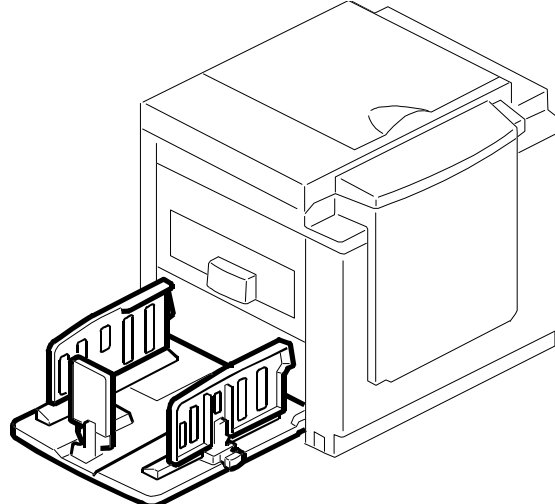
See Page 35

16. Vacuum Fan Unit (C237)



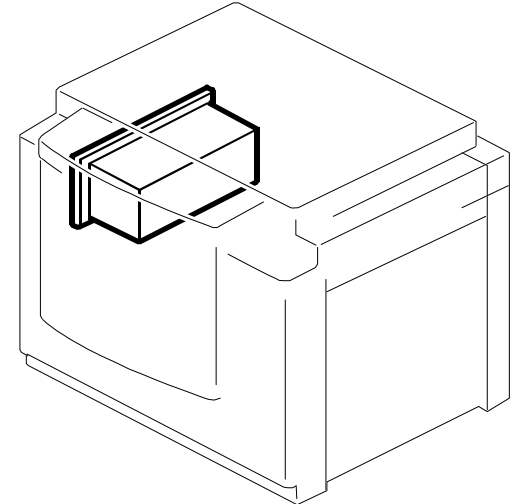
See Page 37

17. Delivery Table (C237)



See Page 39

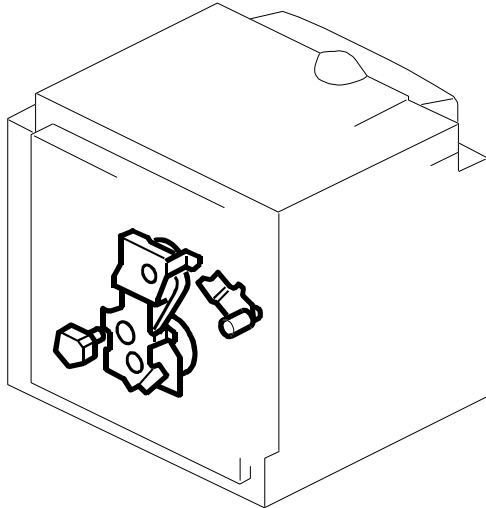
18. Master Eject unit (C237)



See Page 41

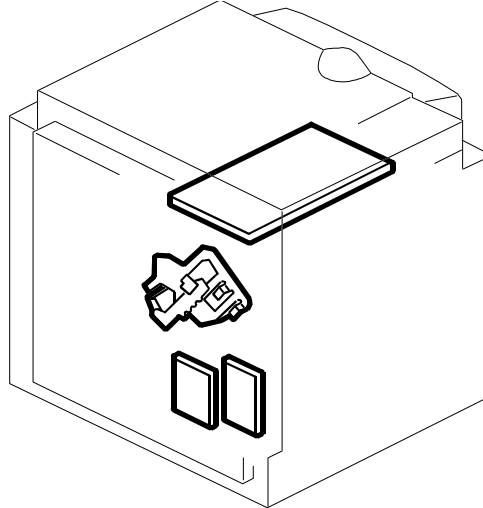
LOCATIONS OF UNITS

19. Drive Section (C237)



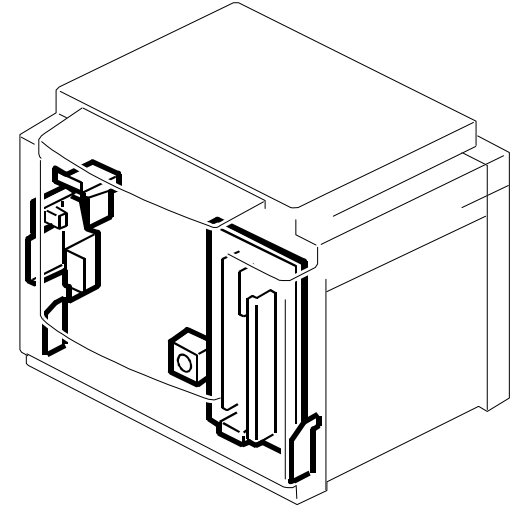
See Page 43

20. Electrical Section 1 (C237)



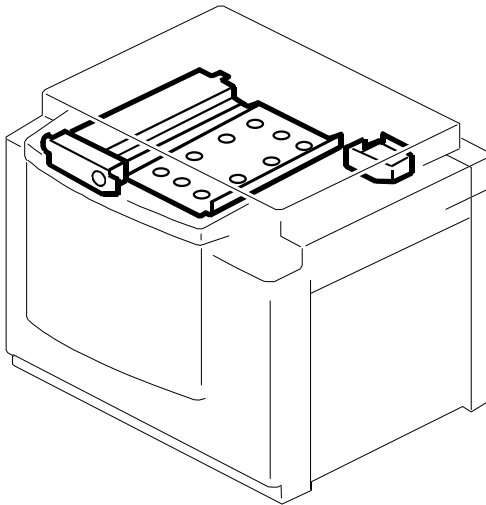
See Page 45

21. Electrical Section 2 (C237)



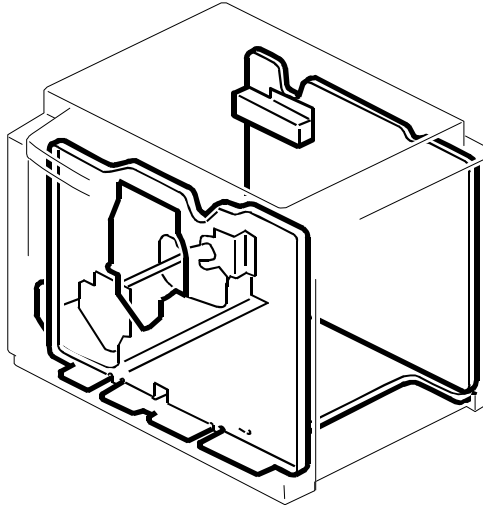
See Page 47

22. Frame Section 1 (C237)



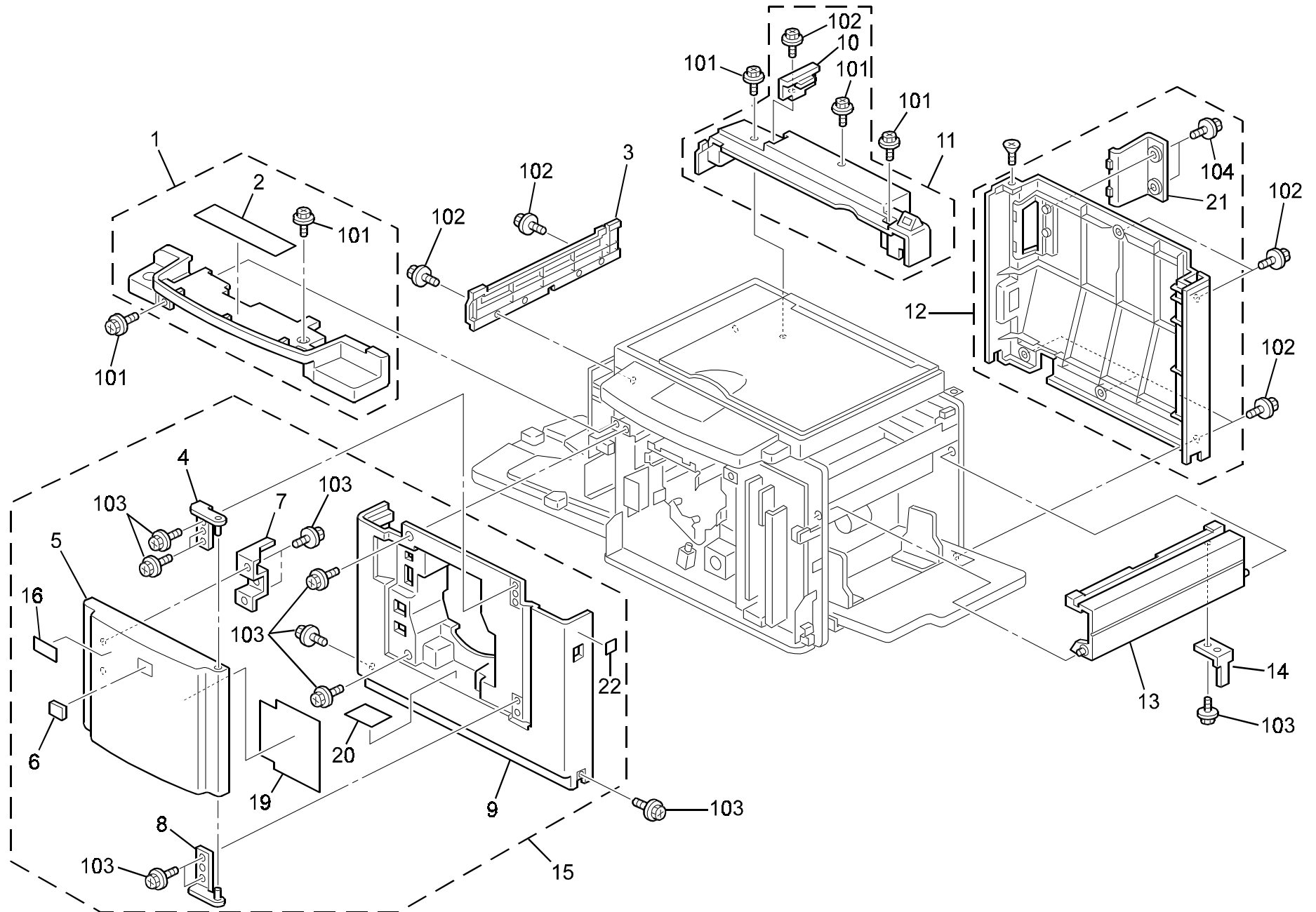
See Page 49

23. Frame Section 2 (C237)



See Page 51

1.Exterior 1 (C237)

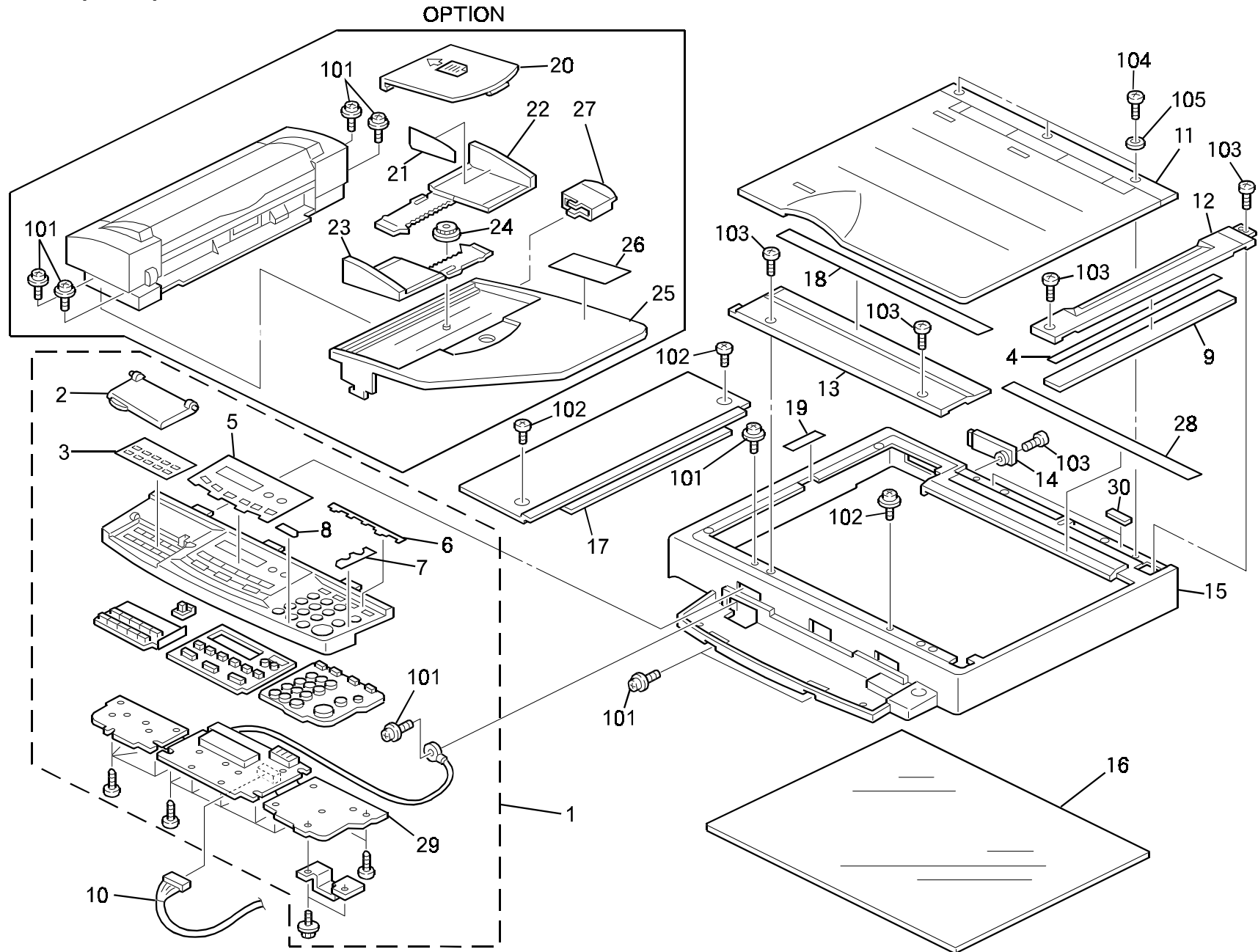


1.Exterior 1 (C237)

Index No.	Part No.	Description	Q'ty Per Assembly
1	C237 1254	Lower Cover - Operation Panel	1
2	C237 1303	Decal - Scanner Open	1
3	C231 1340	Left Scanner Cover	1
4	C231 1390	Upper Hinge	1
5	C237 1265	Front Door Ass'y (JP1210)	1
5	C237 1256	Front Door Ass'y (JP1230)	1
5	C237 1268	Front Door Ass'y (JP1250)	1
5	C231 1274	Front Door Ass'y (OEM)	1
6	C226 2740	Emblem	1
7	C237 1389	Safety Switch Bracket	1
8	C231 1391	Lower Hinge	1
9	C231 1261	Front Cover	1
9	C231 1251	Front Cover (NA)	1
9	C231 1271	Front Cover (CHINESE)	1
10	C237 1350	Connector Cap	1
11	C231 1258	Rear Upper Cover	1
12	C237 1360	Rear Cover	1
12	C231 1362	Rear Cover (CHINESE)	1
13	C237 1202	Right Cover Ass'y	1
14	C237 1399	Magnet Catch Bracket Ass'y	1
15	C237 1212	Front Cover Ass'y (JP1210)	1
15	C237 1210	Front Cover Ass'y (JP1230)(ASIA)	1
15	C237 1213	Front Cover Ass'y (JP1250)	1
15	C237 1223	Front Cover Ass'y (JP1250)(CHINESE)	1
15	C237 1217	Front Cover Ass'y (NRG)	1
15	C237 1216	Front Cover Ass'y (GES/SVN)	1
15	C237 1224	Front Cover Ass'y (5300)(B4)	1
15	C237 1218	Front Cover Ass'y (5308b)(B4)	1
15	C237 1222	Front Cover Ass'y (5308L)(LG)	1
15	C237 1225	Front Cover Ass'y (STD)	1
16	C237 1321	Model Name Plate - 5308L	1
16	C237 1324	Model Name Plate - 5308	1
16	C237 1325	Model Name Plate - 1225	1
16	C237 1326	Model Name Plate - CP308	1
16	C237 1327	Model Name Plate - 5308b	1

Index No.	Part No.	Description	Q'ty Per Assembly
16	C237 1333	Model Name Plate - 5300 (CHINESE)	1
16	C237 1345	Model Name Plate - SD330	1
17	C231 1387	Magnet Film	1
18	A153 6409	Decal - Keytop Cover (GES)	1
18	C225 2866	Decal - Keytop Cover (REX)	1
18	C225 2867	Decal - Keytop Cover (NSA)	1
19	C237 1301	Ink Supply Sheet	1
20	C231 1302	Decal - Paper Exit Pawl	1
21	C237 1363	Connector Cap	1
22	C229 1354	Decal - Paper Feed	1
101	0451 4006B	Tapping Screw - 4x6	
102	0451 4008H	Tapping Screw - 4x8	
103	0450 4008B	Tapping Screw - 4x8	
104	0450 3008H	Tapping Screw M3x8	

2.Exterior 2 (C237)

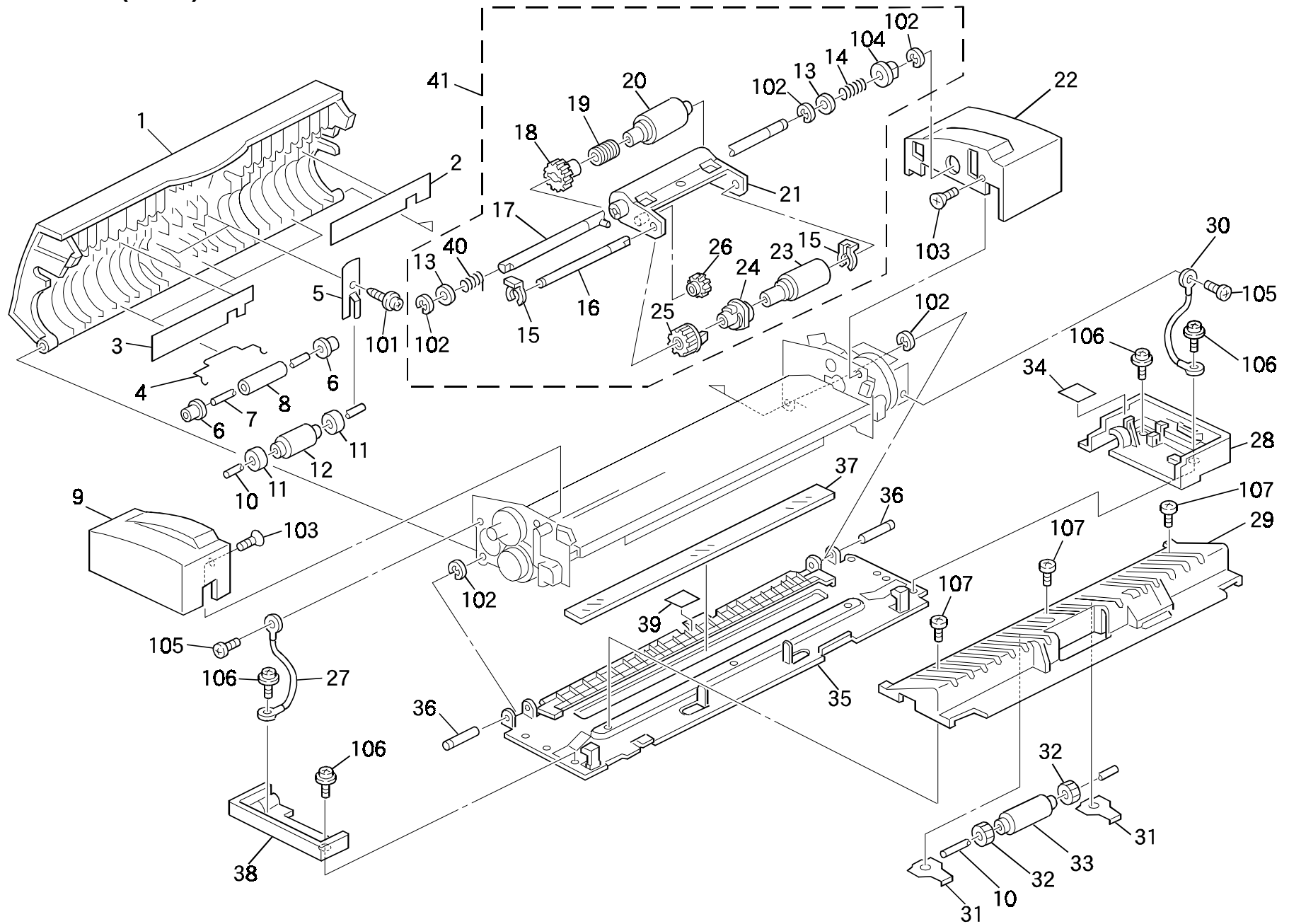


2.Exterior 2 (C237)

Index No.	Part No.	Description	Q'ty Per Assembly
1	C237 1451	Operation Panel Ass'y (NA)	1
1	C237 1452	Operation Panel Ass'y (EU)	1
1	C237 1454	Operation Panel Ass'y (CHINESE)	1
1	C237 1455	Operation Panel Ass'y - ZOOM (CHINESE)	1
2	C231 1490	Cover - Behind	1
3	C231 1501	Key Sheet - Behind (CHINESE)	1
3	C237 1491	Key Sheet - Behind (NA)	1
3	C237 1496	Key Sheet - Behind (EU)	1
4	C226 3302	Both Adhesive Tape	1
5	C237 1492	Key Sheet - Center (NA)	1
5	C231 1497	Key Sheet - Center (EU)	1
5	C231 1506	Key Sheet - Center (CHINESE)	1
6	C237 1493	Contenance Shield (NA)	1
6	C237 1498	Contenance Shield (EU)	1
6	C237 1503	Contenance Shield (CHINESE)	1
7	C231 1494	Key Sheet - Start (NA)	1
7	C231 1499	Key Sheet - Start (EU)	1
7	C231 1504	Key Sheet - Start (CHINESE)	1
8	C231 1495	Key Sheet - Stop (NA)	1
8	C231 1500	Key Sheet - Stop (EU)	1
8	C231 1505	Key Sheet - Stop (CHINESE)	1
9	H521 1104	Shading Sheet	1
10	C237 5225	Operation Panel Harness	1
11	H521 1105	Platen Cover Ass'y	1
12	C226 3301	Original Scale	1
13	H521 1124	Scale - Side	1
14	C226 3336	Connector Cover	1
15	H521 1228	Upper Cover	1
16	H521 1110	Exposure Glass	1
17	C226 3335	ADF Cover	1
18	C226 3305	Decal - Front Original Set	1
19	H521 1356	Cover Sheet	1
20	H521 1324	Original Guide Cover	1
21	H521 1357	Decal - Original Level	1
22	H521 1323	Rear Guide - Original	1

Index No.	Part No.	Description	Q'ty Per Assembly
23	H521 1322	Front Guide - Original	1
24	H521 1325	Original Guide Gear	1
25	H521 1320	Original Table	1
26	H521 1359	Decal - Original Table	1
27	H521 1160	Stopper Pressure Plate	1
28	C226 3306	Decal - Rear Original Set	1
29	C237 5125	Operation Panel Board	1
30	C226 3308	Platen Cover Spacer	2
101	0951 3006B	Philips Screw With Flat Washer - M3x6	
102	0353 0060Z	Screw - M3X6	
103	0353 0080Z	Philips Truss Head Screw - M3x8	
104	0343 0100F	Philips Trus Screw - M3x10	
105	0701 0030Z	Flat Washer - M3	
106	0450 3008B	Tapping Screw - M3x8	

3.ADF Unit 1 (C237)

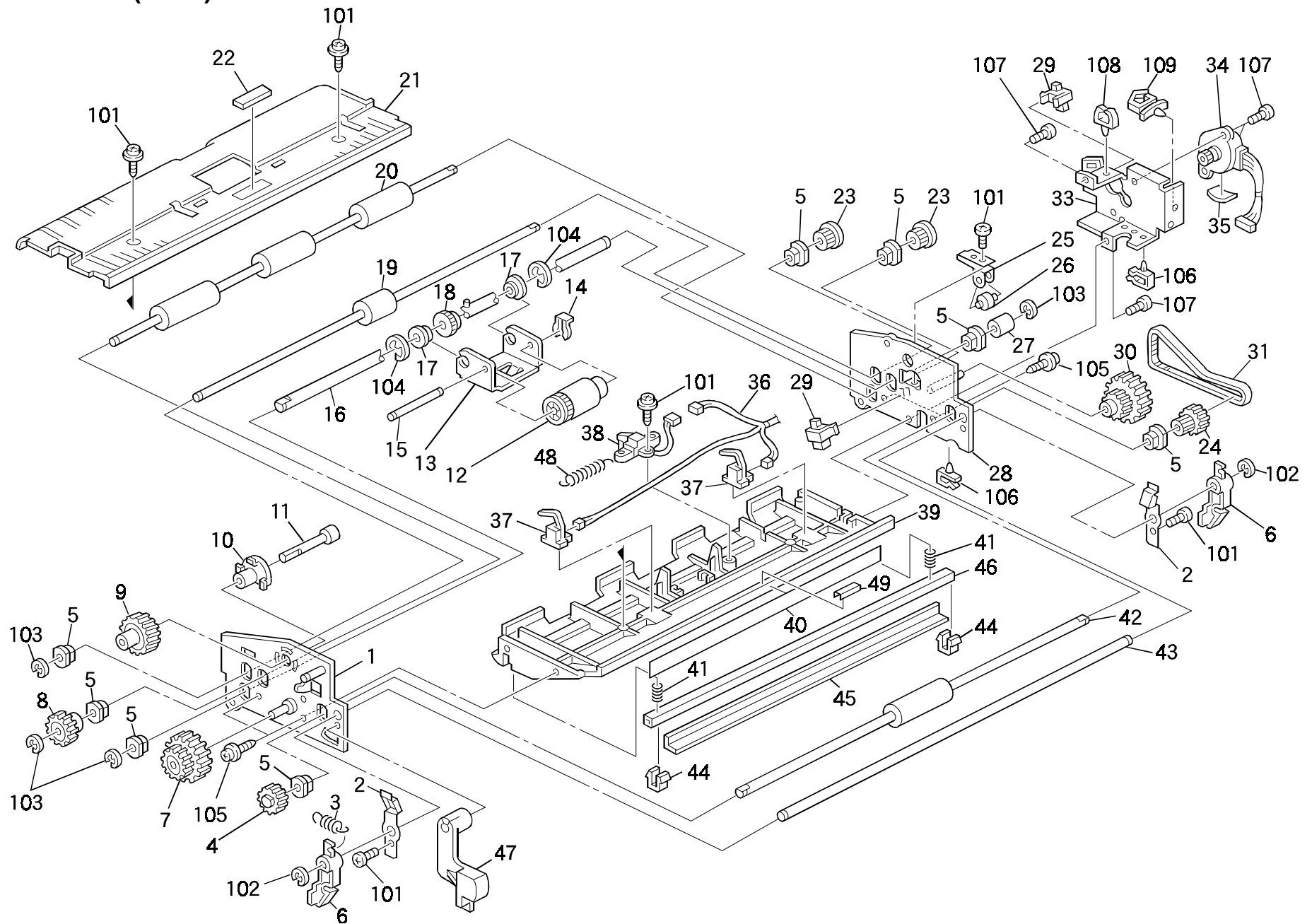


3.ADF Unit 1 (C237)

Index No.	Part No.	Description	Q'ty Per Assembly
1	H521 1257	Upper Cover - ADF	1
2	H521 1342	Guide Mylar - Rear	1
3	H521 1334	Guide Mylar - Front	1
4	H521 1304	Spring R1	3
5	H521 1303	Spring Plate - R0	2
6	H521 1354	Collar R1	6
7	H521 1307	Guide Roller Shaft	3
8	H521 1301	Pressure Roller - R1	3
9	H521 1318	Cover - Front	1
10	H521 1306	Guide Roller Shaft	2
11	H521 1348	Collor R0	2
12	H521 1337	Guide Roller R0	1
13	H006 2316	Spacer - Pick-up Clutch	2
14	H521 1314	Spring Clutch - M6	1
15	H081 3407	Snap Ring - M2.5	2
16	H521 1294	Shaft - Pickup	1
17	H521 1292	Shaft - Feed Roller	1
18	H521 1286	Gear - Feed Roller	1
19	H521 1316	Spring Clutch - M9	1
20	H521 1367	Feed Roller	1
21	H521 1268	Bracket - Pickup	1
22	H521 1328	Cover - Rear - ADF	1
23	H521 1366	ADF Pickup Roller	1
24	H521 1288	Collar - Pickup	1
25	H521 1287	Gear - Pickup Roller	1
26	H081 1046	Idler Gear - ADF Pick-up Rolle	1
27	H521 5332	Grownding Wire - 70	1
28	H521 1330	Cover - Rear/lower - ADF	1
29	H521 1259	Guide Plate R2	1
30	H521 5331	Grownding Wire - 125	1
31	H521 1305	Spring Plate R2	2
32	H521 1319	Exit Roller Colar	1
33	H521 1302	Guide Roller R2	1
34	H521 1368	Sheet - Interlock SW.	1
35	H521 1214	Base - ADF	1

Index No.	Part No.	Description	Q'ty Per Assembly
36	H521 1310	Pin Shaft	2
37	H521 1278	Exposure Glass - ADF Option	1
38	H521 1338	Cover - Front - Lower	1
39	H521 1364	Guide Sheet	1
40	H521 1317	Pressure Spring	1
41	H521 1210	ADF Roller Unit	1
101	0802 5230	Tapping Screw - M3x10	
102	0720 0040E	Retaining Ring - M4	
103	0323 0060B	Philips Sunk Screw - M3x6	
104	0805 3386	Bushing - 8mm	
105	0313 0030B	Philips Pan Head Screw - M3x3	
106	0951 3006B	Philips Screw With Flat Washer - M3x6	
107	0313 0060B	Philips Pan Head Screw - M3X6	

4.ADF Unit 2 (C237)

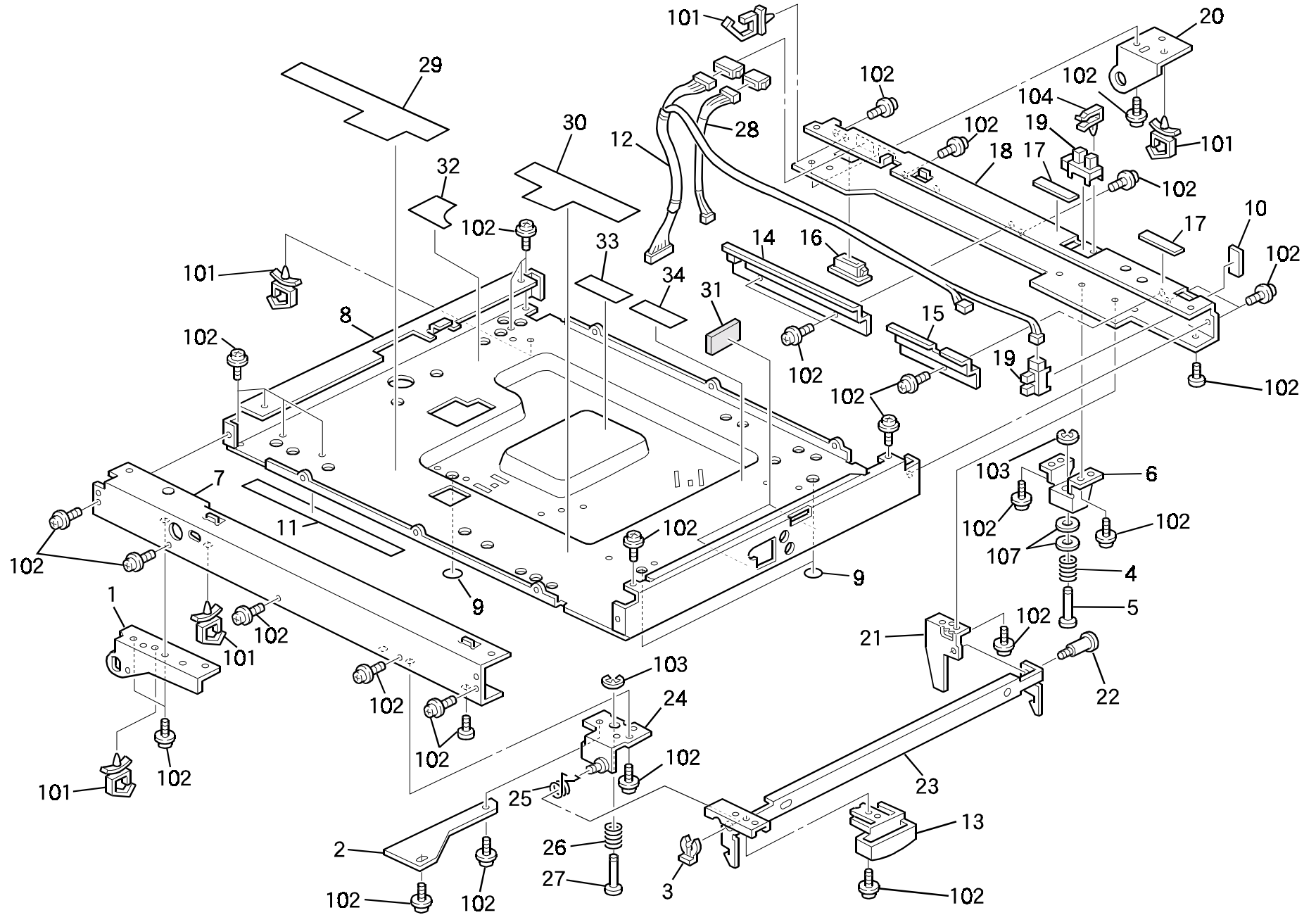


4.ADF Unit 2 (C237)

Index No.	Part No.	Description	Q'ty Per Assembly
1	H521 1261	Front Side Plate	1
2	H521 1308	Lock Spring	2
3	H521 1336	Lock Spring	1
4	H521 1281	R2 Drive Gear	1
5	H521 1311	Busing	8
6	H521 1297	Lock Lever	2
7	H521 1282	Joint Gear	1
8	H521 1283	Front Drive Gear - Reverse	1
9	H521 1284	Front Drive Gear - Feed	1
10	H521 1290	Busing	1
11	H521 1293	Joint Shaft	1
12	H521 1372	Reverse Rollefr	1
13	H521 1374	Bracket - Reverse	1
14	H081 3407	Snap Ring - M2.5	1
15	H521 1295	Shaft - Separation Roller	1
16	H521 1276	Shaft - Separation Unit	1
17	H521 1296	Bushing	2
18	H521 1285	Middle Drive Gear - Reverse	1
19	H521 1250	R0 Roller	1
20	H521 1251	R1 Roller	1
21	H521 1258	Separation Guide	1
22	H521 1350	Pad - Pick-up	1
23	H521 1280	Pulley R1	2
24	H521 1340	Pulley R2	1
25	H521 1300	Spring Plate	1
26	H081 1065	Timing Belt - Idler 2	1
27	H521 1335	Bushing - 8x10mm	1
28	H521 1264	Rear Side Plate	1
29	H515 5018	Cover Switch - Fusing Exit	1
30	H521 1279	Joint Gear	1
31	H521 1309	Timing Belt	1
33	H521 1267	Motor Bracket	1
34	H521 5010	Scanner Motor - ADF	1
35	H521 1358	Motor Cushion	1
36	H521 5336	Harness - ADF - L	1

Index No.	Part No.	Description	Q'ty Per Assembly
37	H521 5011	Document Sensor - S1/S3	2
38	H521 5012	Document Sensor - S2	1
39	H521 1254	Lower Guide Plate	1
40	H521 1331	Antistatic Brush	1
41	H521 1341	Plessuer Spring	2
42	H521 1252	R2 Roller	1
43	H521 1299	Lock Shaft	1
44	H521 1312	Pressuer Shaft Holder	2
45	C575 3420	Standard White Sheet	1
46	H521 1289	Pressure Plate	1
47	H521 1321	Release Lever	1
48	H521 1360	Spring	1
49	H521 1365	Antistatic Brushi	1
101	0802 5205	Tapping Screw - M3x6	
102	0720 0040E	Retaining Ring - M4	
103	0720 0060E	Retaining Ring - M6	
104	0720 0070E	Retaining Ring - M7	
105	0802 5206	Tapping Screw - M3x8	
106	1105 0283	Clamp	
107	0313 0030B	Philips Pan Head Screw - M3x3	
108	1105 0153	Clamp	
109	1105 0260	Wire Saddle	

5.Scanner Section 1 (C237)

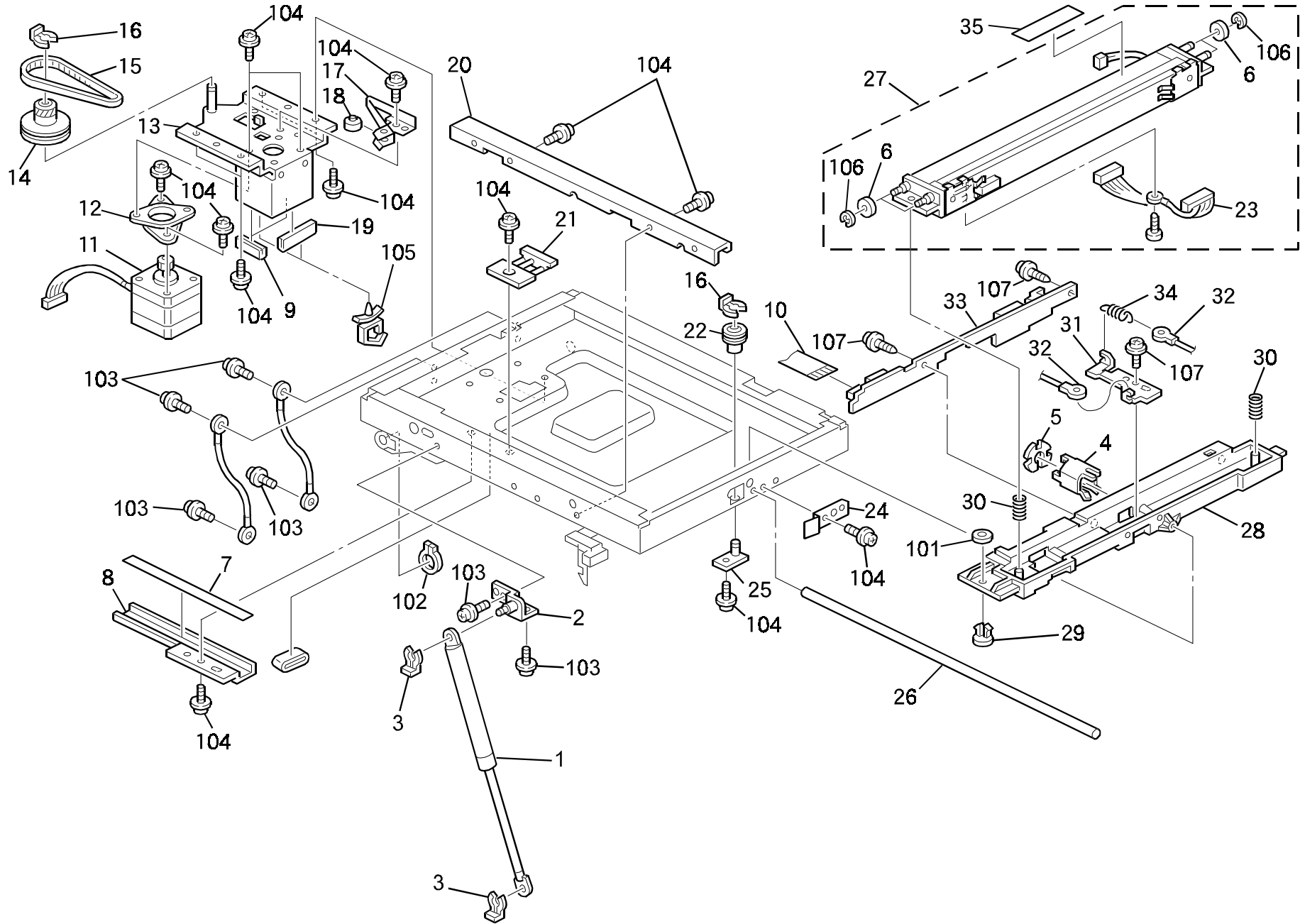


5.Scanner Section 1 (C237)

Index No.	Part No.	Description	Q'ty Per Assembly
1	C237 1711	Front Bracket	1
2	C226 3309	Cover Bracket	1
3	H006 2383	Snap Ring	1
4	H521 1101	Spring - Center	2
5	H521 1115	Pin - CTM	2
6	H521 1112	Bracket - Center	2
7	H521 1162	Base - Front	1
8	H521 1058	Base - Main	1
9	H521 1197	Scanner Seal	2
10	H522 1100	Sensor Guide	1
11	H521 1170	Sheet - Flexible Board - 3	1
12	C237 5228	Harness - ADF	1
13	H521 1099	Handle - Lock - Lever	1
14	H521 1130	Bracket - Harness - 1	1
15	H521 1132	Bracket - Harness - 2	1
16	H004 3755	Square Bushing	1
17	C226 3311	Cover Spacer - Original Tray	2
18	H521 1117	Base - Rear	1
19	AW02 0021	Photointerruptor - 175487-3	2
20	H521 1089	Fulcrum - Scanner Unit - Rear	1
21	C231 1652	Rear Lock Lever Bracket	1
22	C226 3026	Rear Lever Lock Pin	1
23	C226 3018	Lock Lever Ass'y	1
24	H521 1090	Bracket - Lock Lever - Front	1
25	H521 1096	Spring - Lock Lever	1
26	H521 1100	Spring - CTM	1
27	H521 1144	Pin - CTM - Long	1
28	C237 5216	Harness - ADF Motor	1
29	H521 1189	Sheet - Flexible Board - 1	1
30	H521 1196	Sheet - Flexible Board - 4	1
31	H521 1177	Sponge - Base	2
32	C231 1663	Insulating Sheet - Left	1
33	C231 1662	Insulating Sheet - Middle	1
34	C231 1661	Insulating Sheet - Right	1

Index No.	Part No.	Description	Q'ty Per Assembly
101	1105 0310	Harness Clamp - LWS-1S	
102	0951 3006B	Philips Screw With Flat Washer - M3x6	
103	0720 0030E	Retaining Ring - M3	
104	1105 0283	Clamp	
105	0951 3006Z	Philips Screw With Flat Washer - M3	
106	0353 0050Z	Philips Truss Head Screw - M3x5	
107	0701 0040Z	Flat Washer - M4	

6.Scanner Section 2 (C237)



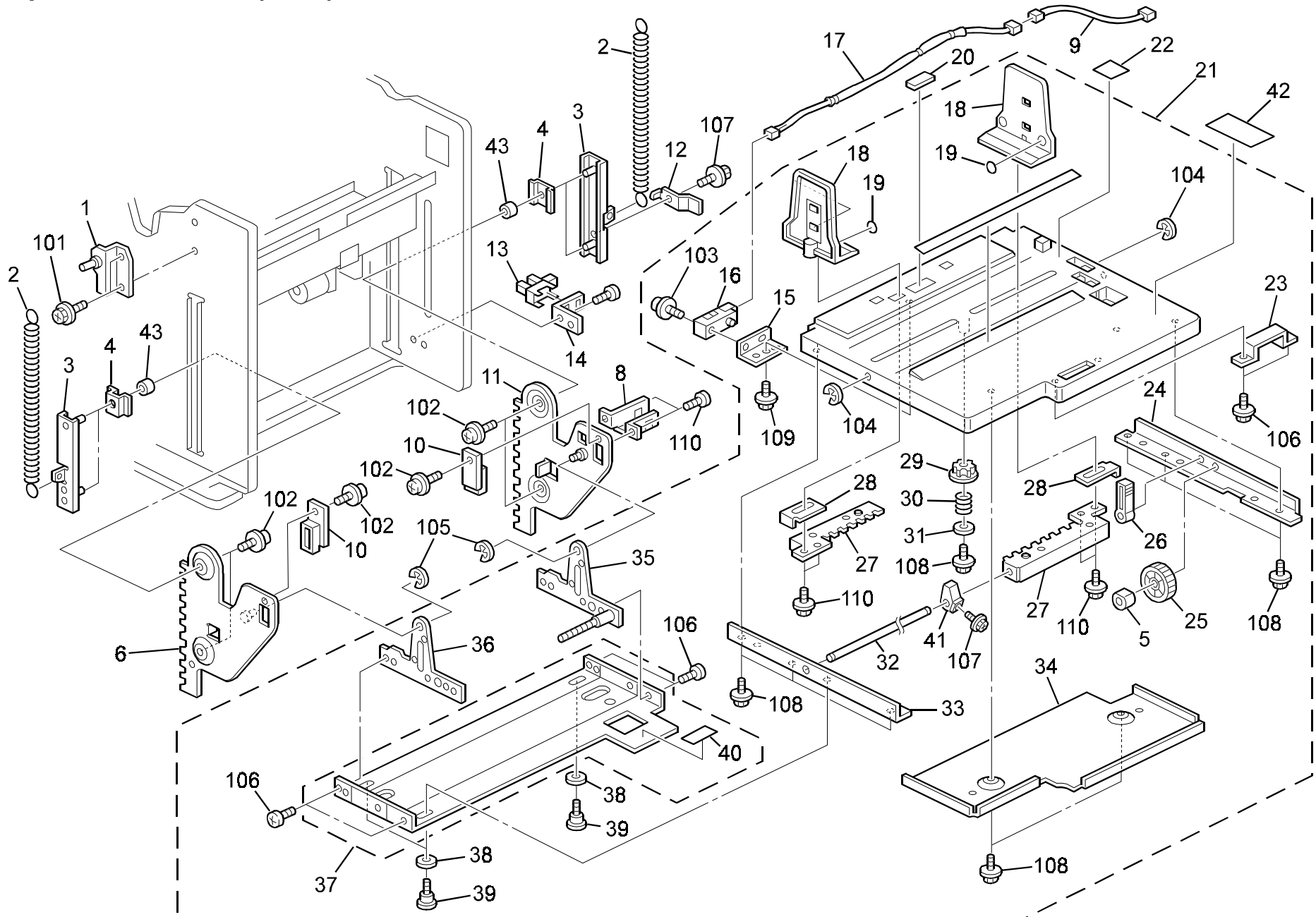
6.Scanner Section 2 (C237)

Index No.	Part No.	Description	Q'ty Per Assembly
1	C237 1656	Gas Spring	1
2	C237 1655	Upper Bracket	1
3	5215 2621	Snap Ring - M6	1
4	H521 1222	Holder - Sponge	1
5	H521 1221	Sponge - Shaft - Scanner	1
6	H521 1121	Roller	2
7	H521 1169	Sheet - Flexible Board - 2	1
8	H521 1072	Bracket - Flat Cable Holder	1
9	C226 3332	Edging - Small	2
10	C226 3340	Xenon Lamp Harness	1
11	C237 5004	Scanner Motor	1
12	H522 1150	Cushion - Scanner Motor	1
13	H522 1064	Motor Bracket	1
14	H521 1081	Pulley - Scanner	1
15	H521 1074	Timing Belt	1
16	H006 2383	Snap Ring	2
17	H521 1071	Spring Plate	1
18	H081 1065	Timing Belt - IDLER 2	1
19	C226 3331	Enging - Long	1
20	H521 1062	Rail - Scanner	1
21	H521 1069	Holder - Flat Cable	1
22	H521 1078	Pulley - Scanner	1
23	H521 5305	Sensor Harness	1
24	H521 1127	Scanner Shaft Stopper	1
25	H521 1075	Bracket - Pulley - Scanner	1
26	H521 1061	Shaft - Slider	1
27	C226 3320	Contact Image Sensor - B4	1
28	H521 1050	Carriage - Scanner	1
29	H521 1054	Slider - Carriage	1
30	H521 1057	Spring - Image Sensor	2
31	H521 1122	Bracket - Wire	1
32	H521 1079	Wire - Scanner Drive	1
33	C237 5180	Lamp Stabilizer	1
34	H521 1080	Spring - Wire	1
35	C237 1661	Insulating Sheet - Scanner Unit	1

Index No.	Part No.	Description	Q'ty Per Assembly
101	0807 2071	Washer - 3.1x7x0.2mm	
102	0725 0100E	Retaining Ring C - M10	
103	0451 3006B	Tapping Screw - M3x6	
104	0951 3006B	Philips Screw With Flat Washer - M3x6	
105	1105 0310	Harness Clamp - LWS-1S	
106	0720 0030E	Retaining Ring - M3	
107	0802 5205	Tapping Screw - M3x6	



7.Paper Table Section (C237)

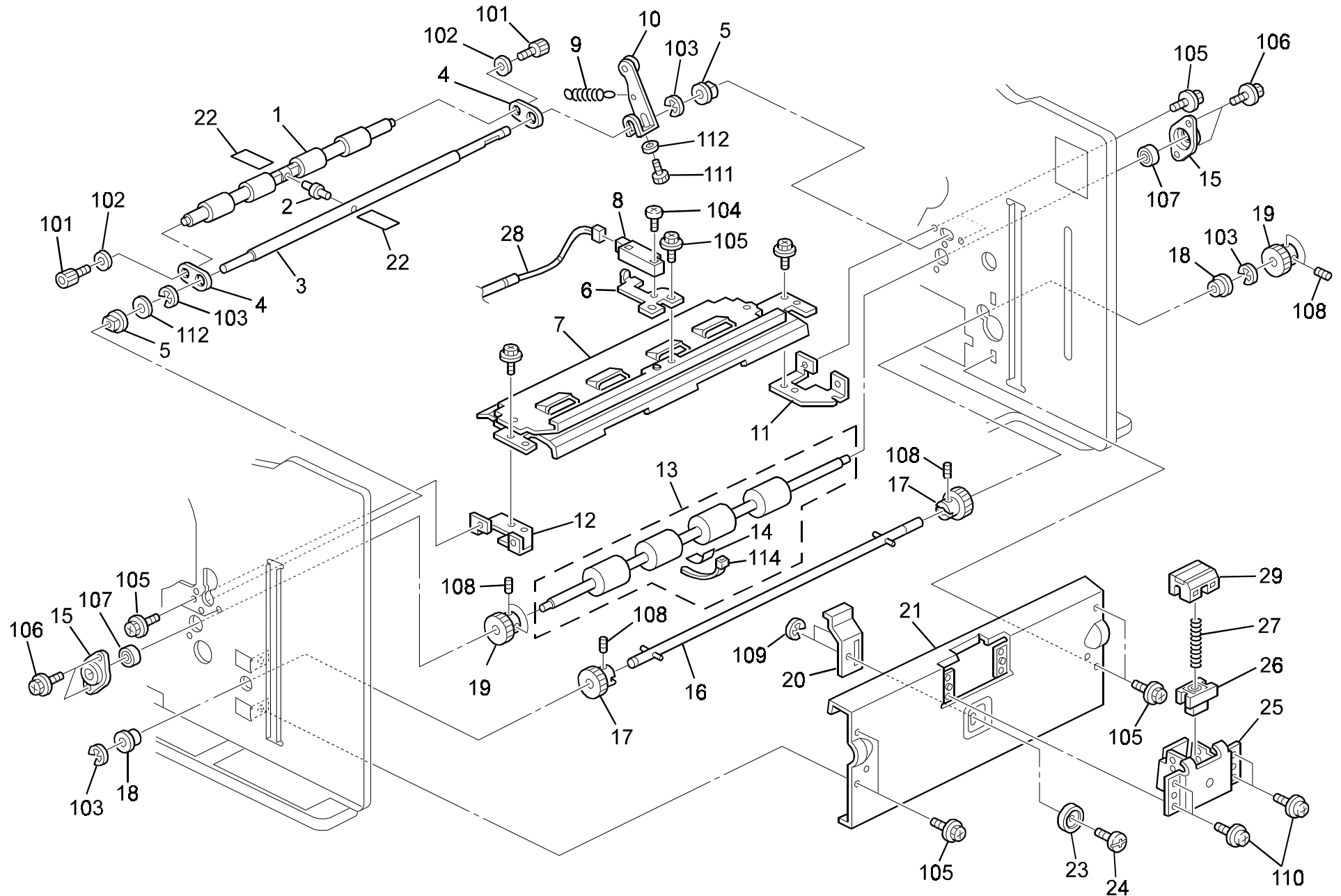


7.Paper Table Section (C237)

Index No.	Part No.	Description	Q'ty Per Assembly
1	C231 6017	Front Lock Bracket	1
2	C231 2810	Paper Table Spring	2
3	C231 2800	Paper Table Lift Bracket	2
4	C231 2805	Talbe Lift Slider	4
5	C231 2965	Core	1
6	C237 2790	Front Paper Table Rack	1
7	C231 5229	Paper Feed Harness	1
8	C231 2794	Sensor Actuator	1
9	C231 5227	Relay Harness	
10	C231 2815	Rack Spacer	2
11	C231 2796	Rear Paper Table Rack	1
12	C231 2806	Table Position Feeler	1
13	AW02 0075	Photointerruptor	1
14	C231 2825	Sensor Bracket	1
15	C231 2986	Sensor Bracket	1
16	AW01 0076	Photosensor - PS-117D1	1
17	C231 5260	Relay Harness	1
18	C231 2979	Side Fence (CHN)	1
18	C231 2980	Side Fence	1
19	C201 5015	Seal - M10	1
20	C229 2840	Pad	1
21	C231 2700	Paper Feed Tray Ass'y	1
21	C231 2710	Paper Feed Tray Ass'y (CHINESE)	1
22	C231 2997	Decal - Paper Level	1
23	C231 2990	Magnet Catch Holder	1
24	C231 2952	Rear Stay	1
25	C231 2964	Table Adjuster	1
26	C231 2973	Lock Knob	1
27	C231 2981	Side Fence Lack	1
28	C231 2983	Spacer	1
29	C231 2975	Original Guide Gear	1
30	C231 2985	Spring	1
31	C209 6168	End Fence Washer	1
32	C231 2970	Lock Shaft	1
33	C231 2951	Front Stay	1

Index No.	Part No.	Description	Q'ty Per Assembly
34	C231 2956	Base Cover	1
35	C231 2961	Rear Arm	1
36	C231 2960	Front Arm	1
37	C231 2947	Base Ass'y	1
38	C231 2976	Washer	3
39	5219 1957	Stepped Screw - M4	1
40	C231 2997	Decal - Paper Level	1
41	C231 2971	Lock Cam	1
42	C231 2996	Decal - Paper Set	1
43	5606 2310	Roller	2
101	0451 4006B	Tapping Screw - 4x6	
102	0951 4006Z	Philips Screw With Flat Washer - M4	
103	0951 3012Z	Philips Screw W/h Flat Washer - M3x12	
104	0720 0060E	Retaining Ring - M6	
105	0720 0040E	Retaining Ring - M4	
106	0801 1004	Screw - M4X4	
107	0451 3006B	Tapping Screw - M3x6	
108	0450 4008B	Tapping Screw - 4x8	
109	0450 4006B	Tapping Screw - 4x6	
110	0450 3006B	Tapping Screw - M3x6	
111	0450 3008B	Tapping Screw - M3x8	
112	0960 4008Z	Flange Head Screw - 4x8	
113	0951 4005Z	Philips Screw Wifh Flat Washer - M4x5	

8.Paper Feed Section (C237)

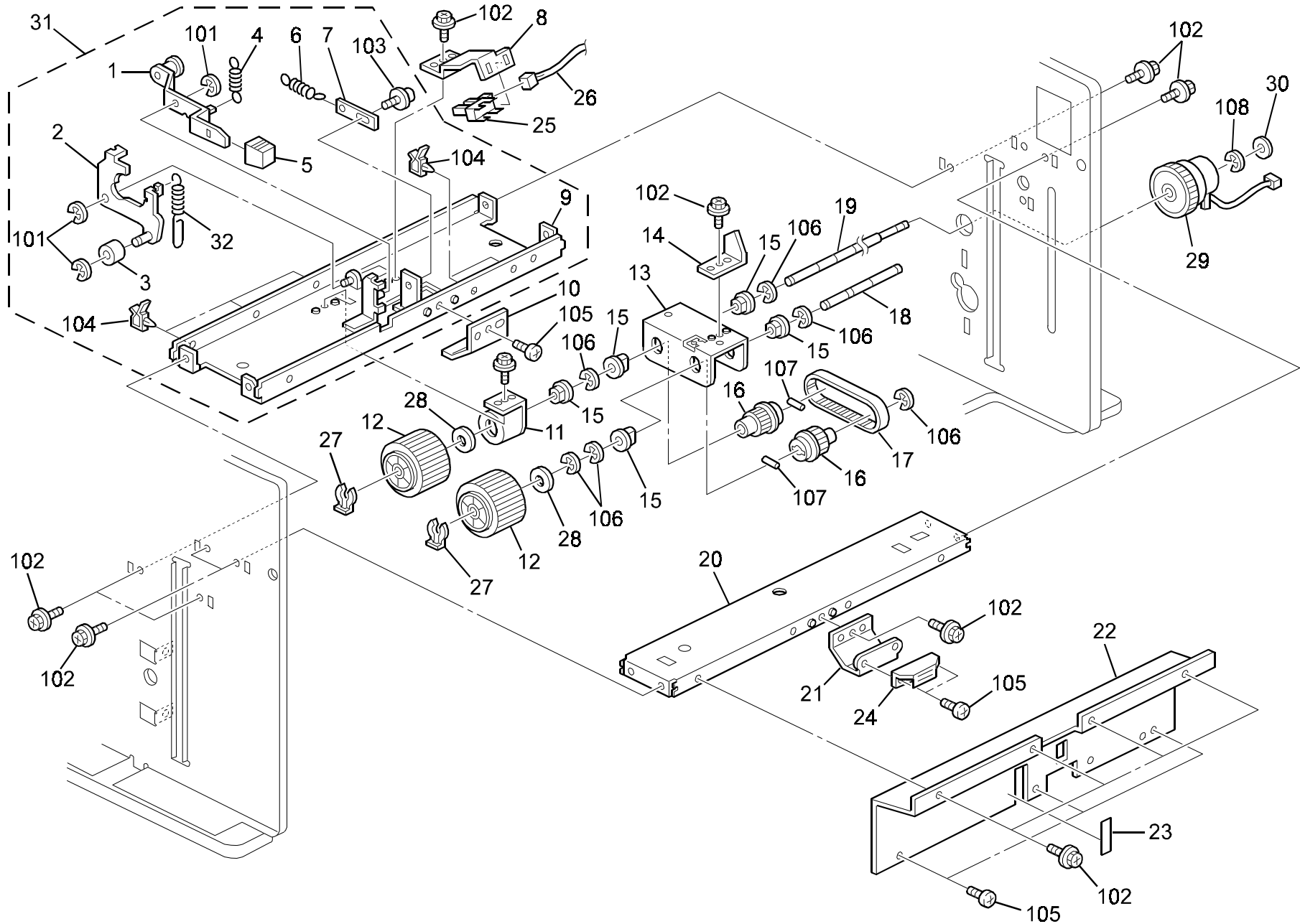


8.Paper Feed Section (C237)

Index No.	Part No.	Description	Q'ty Per Assembly
1	C237 2807	Upper Registration Roller	1
2	C231 2766	Pressure Pin	1
3	C231 2765	Pressure Shaft	1
4	C231 2760	Upper Registration Arm	2
5	5053 0419	Bushing - 10mm	2
6	C231 2890	Sensor Bracket	1
7	C237 2881	Guide Plate	1
8	A010 5700	Sensor	1
9	C231 2868	Pressure Spring	1
10	C231 2770	Rear Guide Plate Bracket	1
11	C231 2889	Front Guide Plate Bracket	1
12	C231 2887	Front Guide Plate Bracket	1
13	C237 2764	Lower Registration Roller Ass'y	1
14	C231 2762	Registration Sensor Sheet	1
15	C200 2266	Bearing Holder	2
16	C231 2781	Paper Table Shaft	1
17	C201 5051	Pinion - 24t	2
18	C203 5135	Bushing - 10x14x5.9	2
19	C231 2786	Lift Gear	1
20	C231 2896	Separation Adjuster	1
21	C231 2817	Front Paper Feed Stay	1
22	C237 2763	Sensor Sheet	2
23	C231 2893	Screw Holder	1
24	C231 2892	Adjusting Screw	1
25	C231 2811	Separation Bracket	1
26	C231 2897	Separation Spring Holder	1
27	C237 2898	Separation Spring	1
28	C231 5263	Registration Sensor Harness	1
29	C231 2861	Friction Pad Ass'y	1

Index No.	Part No.	Description	Q'ty Per Assembly
101	0595 0080E	Hexagon Bolt - M5x8	
102	0701 0050Z	Flat Washer - M5	
103	0720 0080E	Retaining Ring - M8	
104	0951 3012Z	Philips Screw W/h Flat Washer - M3x12	
105	0451 4006B	Tapping Screw - 4x6	
106	0451 3006B	Tapping Screw - M3x6	
107	0740 3008	Ball Bearing - 8x22x7	
108	0574 0040E	Hexagon Headless Set Screw - M4x4	
109	0720 0030E	Retaining Ring - M3	
110	0951 3006Z	Philips Screw With Flat Washer - M3	
111	0594 0080E	Bolt - M4x8	
112	0701 0040Z	Flat Washer - M4	
113	0574 0050E	Hexagon Headless Set Screw - M4x5	
114	1105 0042	Wire Band	

9.Paper Resistration (C237)

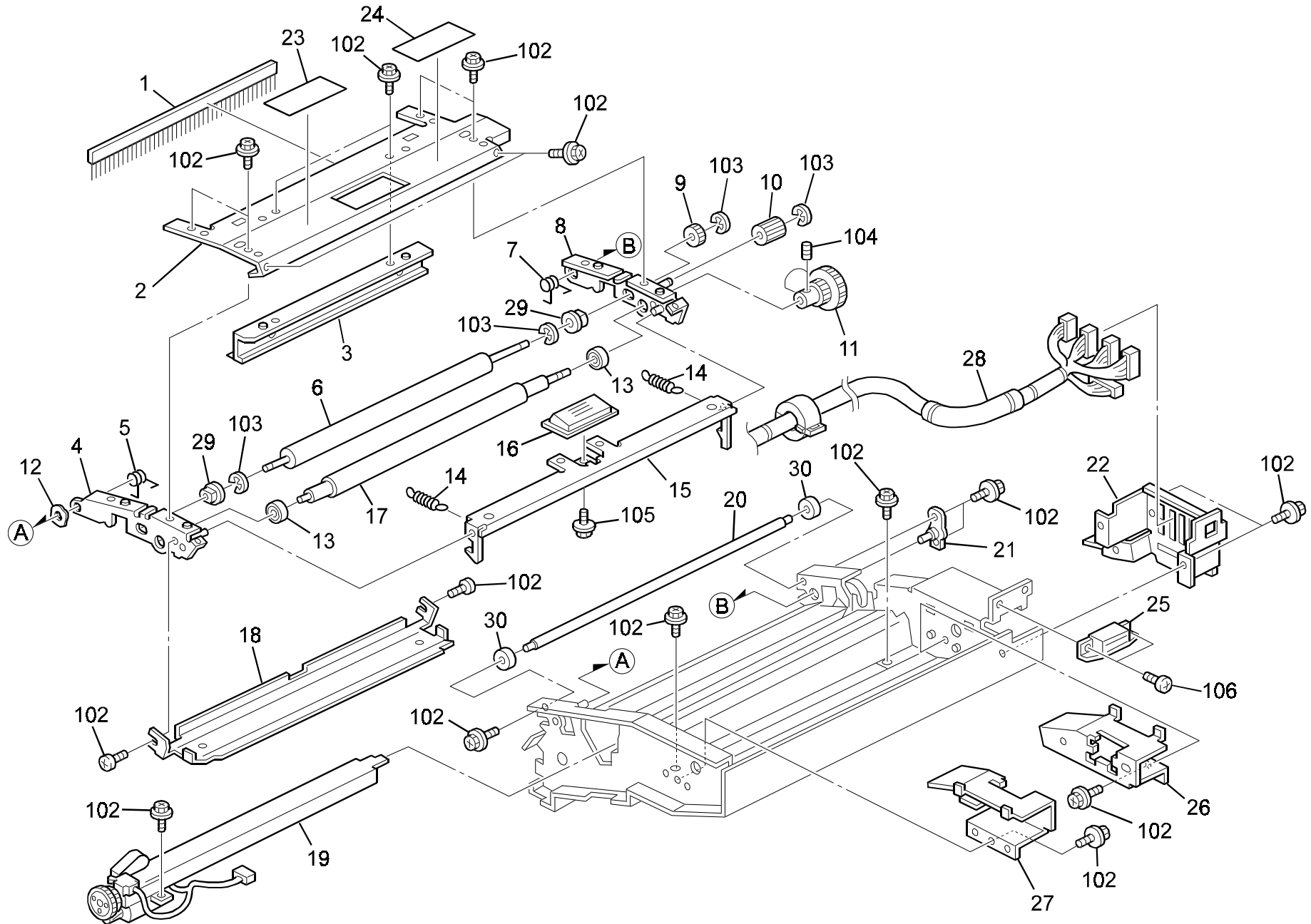


9.Paper Resistration (C237)

Index No.	Part No.	Description	Q'ty Per Assembly
1	C231 2858	Paper Feed Lever	1
2	C231 2856	Paper Pressure Plate	1
3	C231 2922	Pressure Roller	1
4	C231 2918	Spring - Paper Feed Lever	1
5	C231 2938	Lever Knob	1
6	C231 2917	Spring - Paper Feed Pressure	1
7	C231 2936	Spring Anchor	1
8	C231 2908	Sensor Bracket	1
9	C231 2907	Paper Feed Stay	1
10	C231 2851	Arm Stopper	1
11	C231 2865	Arm Retainer	1
12	C231 2836	Paper Feed Roller	2
13	C231 2850	Feed Arm	1
14	C237 2820	Feed Roller Position Feeler	1
15	5053 0419	Bushing - 10mm	5
16	C231 2847	Pulley	2
17	C231 2860	Feed Timing Belt	1
18	C231 2845	Roller Shaft	1
19	C237 2841	Reverse Roller Shaft	1
20	C231 1991	Right Plotter Stay	1
21	C231 2991	Magnet Catch Bracket	1
22	C231 2939	Stay Cover	1
23	C237 2937	Decal - Paper Feed Pressure	1
24	5054 0536	Magnet Catch Ass'y	1
25	AW02 0075	Photointerruptor	1
26	C231 5266	Paper Table Relay Harness	1
27	C209 3133	Retaining Ring - M6	2
28	5600 1086	Spacer - 10.2 X 20	2
29	C237 5879	Paper Feed Magnetic Clutch	1
30	C237 2844	Bushing - 8mm	1
31	C231 2932	Paper Feed Stay Ass'y	1
32	C231 2852	Spring	1

Index No.	Part No.	Description	Q'ty Per Assembly
101	0720 0040E	Retaining Ring - M4	
102	0451 4006B	Tapping Screw - 4x6	
103	0951 3006Z	Philips Screw With Flat Washer - M3	
104	1105 0283	Clamp	
105	0801 1004	Screw - M4X4	
106	0720 0080E	Retaining Ring - M8	
107	0633 0160G	Parallel Pin - 3x16mm	
108	0720 0060E	Retaining Ring - M6	

10. Plotter Unit 1 (C237)

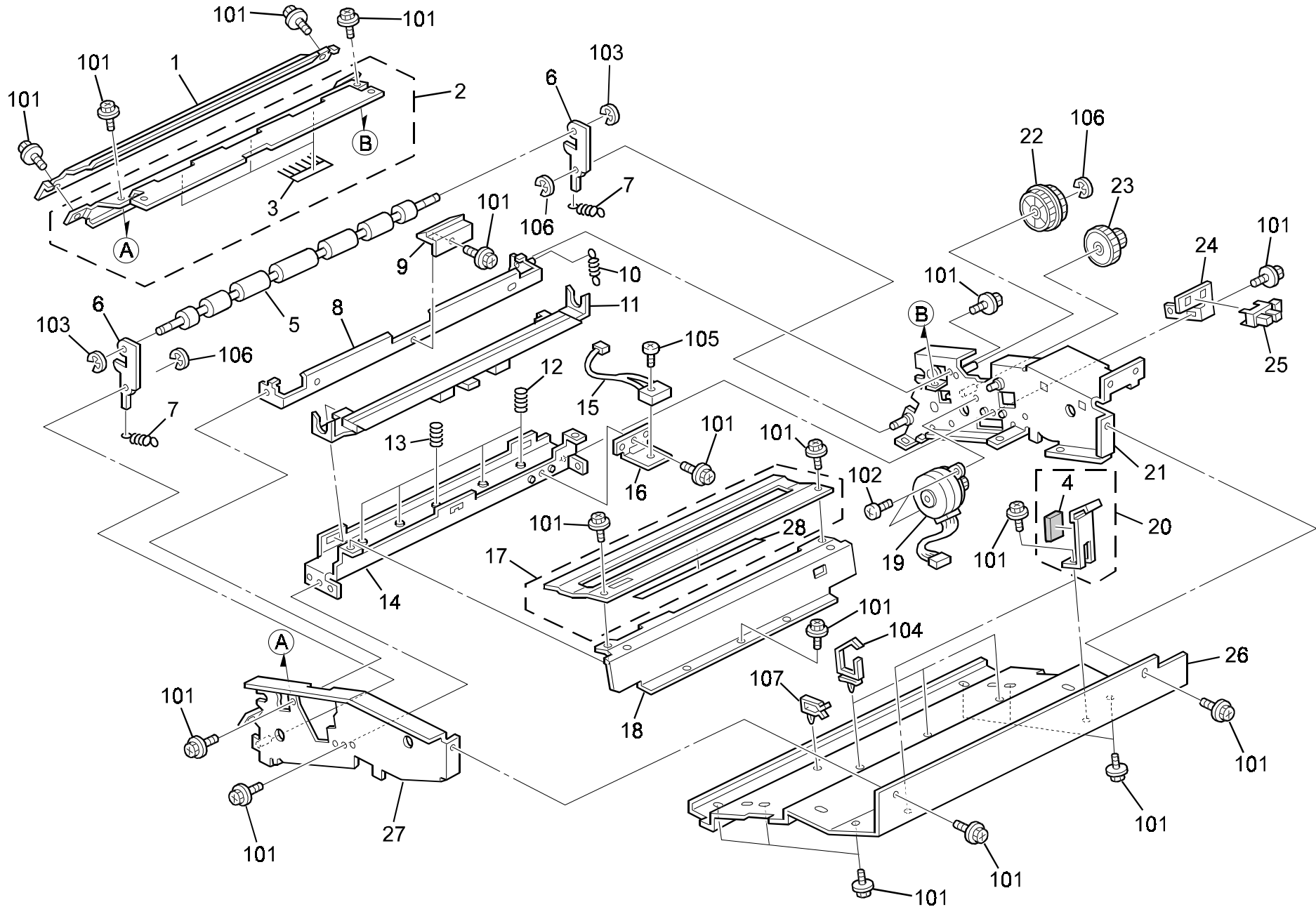


10. Plotter Unit 1 (C237)

Index No.	Part No.	Description	Q'ty Per Assembly
1	C237 2281	Antistatic Brush Ass'y	1
2	C231 2044	Plotter Cover Ass'y	1
3	C231 2046	Tension Roller Guide	1
4	C231 2040	Front Release Plate	1
5	C231 1961	Front Spring	1
6	C237 2113	Tension Roller - A4	1
6	C237 2112	Tension Roller - B4	1
7	C231 1962	Rear Spring	1
8	C231 2030	Rear Release Plate	1
9	C231 2148	Tension Roller Gear	1
10	C231 2147	Idler Gear	1
11	C231 2146	Platen Roller Gear	1
12	C217 5102	Spring Washer	1
13	C231 2106	Ball Bearing - 6x13.5	2
14	C231 2039	Lock Lever Spring	2
15	C231 2036	Plotter Release Lever	1
16	C231 2037	Release Lever Knob	1
17	C237 2105	Platen Roller - A4	1
17	C237 2104	Platen Roller - B4	1
18	C231 2108	Lower Platen Cover	1
19	C231 2271	Cutter Unit	1
20	C231 1955	Joint Stay	1
21	C231 1950	Joint Pin	1
22	C231 2275	Connector Bracket	1
23	C231 1971	Left Decal - Plotter Cover	1
24	C231 1972	Right Decal - Plotter Cover	1
25	AG07 0004	Magnetic Catch	1
26	C237 2211	Rear Master Holder - A4/LG	1
26	C237 2210	Rear Master Holder - B4	1
27	C231 2221	Front Master Holder - A4/LG	1
27	C231 2220	Front Master Holder - B4	1
28	C231 5240	Plotter Harness	1
29	H012 1181	Bushing- 6mm	2
30	C231 1956	Plotter Base Cover	2

Index No.	Part No.	Description	Q'ty Per Assembly
102	0451 3006B	Tapping Screw - M3x6	
103	0720 0040E	Retaining Ring - M4	
104	0574 0040E	Hexagon Headless Set Screw - M4x4	
105	0450 3006B	Tapping Screw - M3x6	
106	0951 3014Z	Philips Screw W/h Flat Washer - M3x14	

11. Plotter Unit 2 (C237)

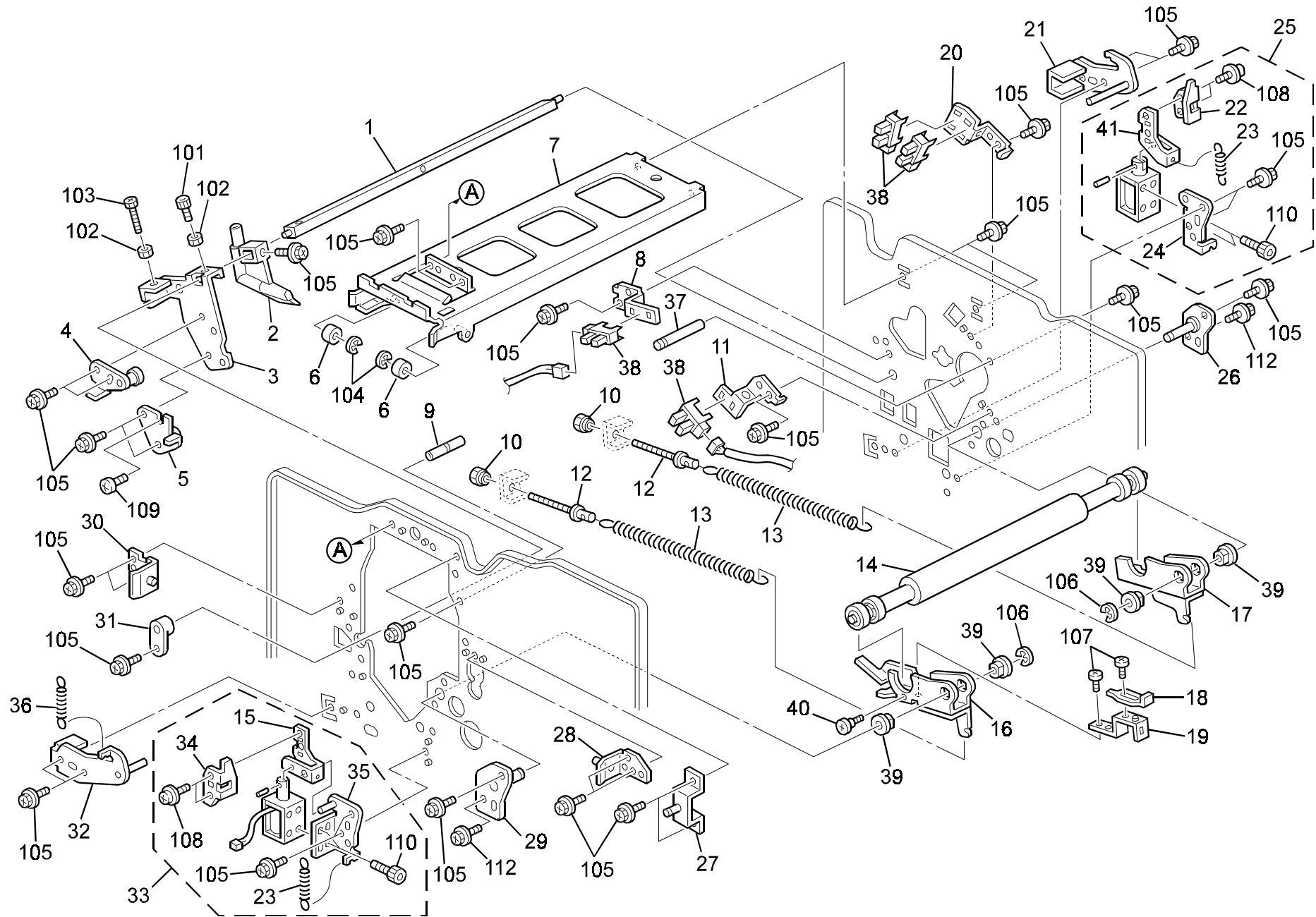


11.Plotter Unit 2 (C237)

Index No.	Part No.	Description	Q'ty Per Assembly
1	C231 2085	Upper Guide Plate	1
2	C237 2082	Lower Guide Plate Ass'y	1
3	C237 2283	Antistatic Brush	3
4	C231 2234	Brake Pad	1
5	C237 2076	Brake Roller	1
6	C237 2063	Brake Lever	2
7	C231 2065	Brake Roller Spring	2
8	C231 2052	Master Position Plate	1
9	C231 2055	Master Edge Position Bracket	1
10	C231 2054	Position Spring	1
11	C231 2151	Thermal Head - B4	1
12	C231 2157	Side Spring	4
13	C231 2156	Middle Spring	1
14	C231 2026	Thermal Head Base	1
15	C229 5825	Master Sensor	1
16	C231 2277	Master Sensor Bracket	1
17	C231 2092	Thermal Head Guide	1
18	C231 2095	Master Guide Plate	1
19	C231 5841	Stepper Motor - DC 24V	1
20	C231 2230	Brake Shoe	1
21	C237 2010	Plotter Rear Plate	1
22	C231 2135	Platen Gear - 2	1
23	C231 2133	Platen Gear - 1	1
24	C231 2273	Sensor Bracket	1
25	AW02 0075	Photointerruptor	1
26	C231 2025	Plotter Bottom Plate	1
27	C237 2020	Plotter Front Plate	1
28	C231 2094	Guide Sheet	1

Index No.	Part No.	Description	Q'ty Per Assembly
101	0451 3006B	Tapping Screw - M3x6	
102	0801 1135	Philips Pan Head Screw - M3x3	
103	0720 0025E	Retaining Ring - M2.5	
104	1105 0292	Wire Saddle	
105	0242 0080Z	Screw - M2X8	
106	0720 0040E	Retaining Ring - M4	
107	1105 0267	Harness Clamp - YMC-10-0	

12.Press Roller Section (C237)

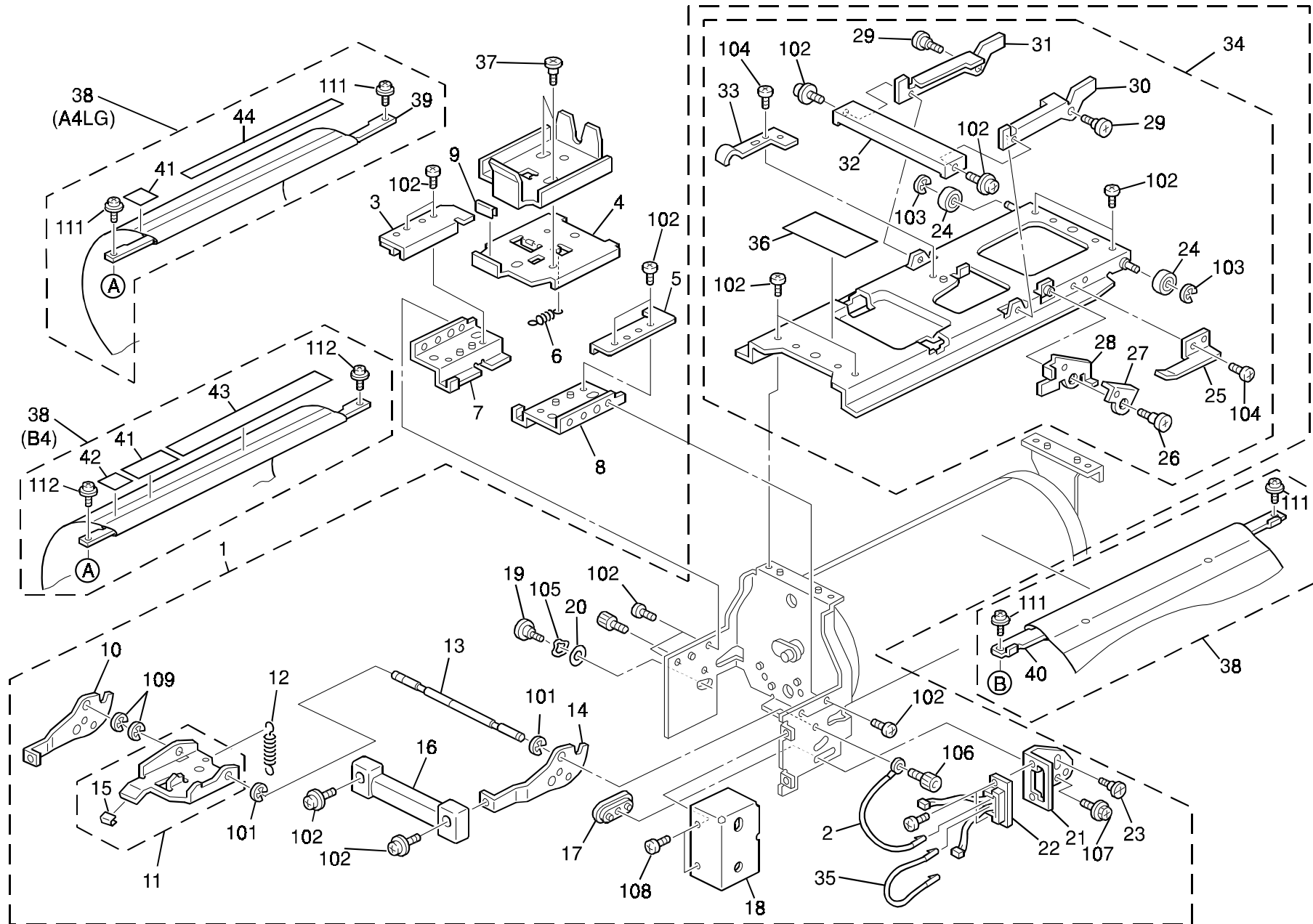


12.Press Roller Section (C237)

Index No.	Part No.	Description	Q'ty Per Assembly
1	C231 4482	Exit Pawl Shaft	1
2	C237 4365	Exit Pawl	1
3	C231 4481	Drive Arm	1
4	C231 4483	Roller Bracket	1
5	C231 4485	Roller Bracket	1
6	C229 2615	Slide Rail Roller	2
7	C231 2601	Drum Stay	1
8	C231 5612	Sensor Bracket	1
9	C237 1996	Front Stay	1
10	C231 3127	Pressure Spring Nut	2
11	C231 5611	Sensor Bracket	1
12	C231 3126	Pressure Spring Screw	2
13	C231 3141	Pressure Spring - A4	2
13	C231 3140	Pressure Spring - B4	2
14	C237 3052	Pressure Roller Ass'y - A4	1
14	C237 3050	Pressure Roller Ass'y - B4	1
15	C217 5523	Pressure Release Lever - Front	1
16	C231 3110	Left Arm	1
17	C237 3113	Right Arm	1
18	C237 3117	Pressure Roller Stopper	1
19	C231 3116	Stopper Bracket	1
20	C231 5610	Sensor Bracket	1
21	C231 3123	Right Spring Anchor	1
22	C217 5520	Pressure Release Lever	1
23	C231 3137	Release Spring	2
24	C231 3135	Right Bracket	1
25	C231 3134	Right Solenoid Ass'y	1
26	C231 3103	Right Side Plate	1
27	C237 1650	Stopper Bracket	1
28	C231 2607	Right Positioning Pin	1
29	C231 3100	Left Side Plate	1
30	C231 2605	Left Positioning Pin	1
31	C237 4479	Pickoff Pawl Bushing	1
32	C231 3120	Left Spring Anchor	1
33	C231 3130	Left Solenoid Ass'y	1

Index No.	Part No.	Description	Q'ty Per Assembly
34	C217 5521	Front Lever Arm	1
35	C231 3131	Left Bracket	1
36	C237 4349	Spring - Exit Pawl Shaft	1
37	C237 1995	Plotter Inner Stay	1
38	AW02 0075	Photointerruptor	2
39	5053 0419	Bushing - 10mm	4
40	5506 6111	Stepped Screw - M4	1
41	C217 5522	Rear Lever Arm	1
101	0593 0080E	Bolt - M3x8	
102	0710 0040Z	Hex Nut 4	
103	0584 0121Z	Hexagon Bolt - M4x12	
104	0720 0040E	Retaining Ring - M4	
105	0451 4006B	Tapping Screw - 4x6	
106	0720 0080E	Retaining Ring - M8	
107	0353 0060Z	Screw - M3X6	
108	0951 3006W	Philips Screw With Flat Washer - M3x6	
109	0801 1004	Screw - M4X4	
110	0593 0040B	Hexagonal Set Screw - M3x4	
112	0451 4008W	Tapping Screw - M4x8	

13. Drum Unit 1 (C237)

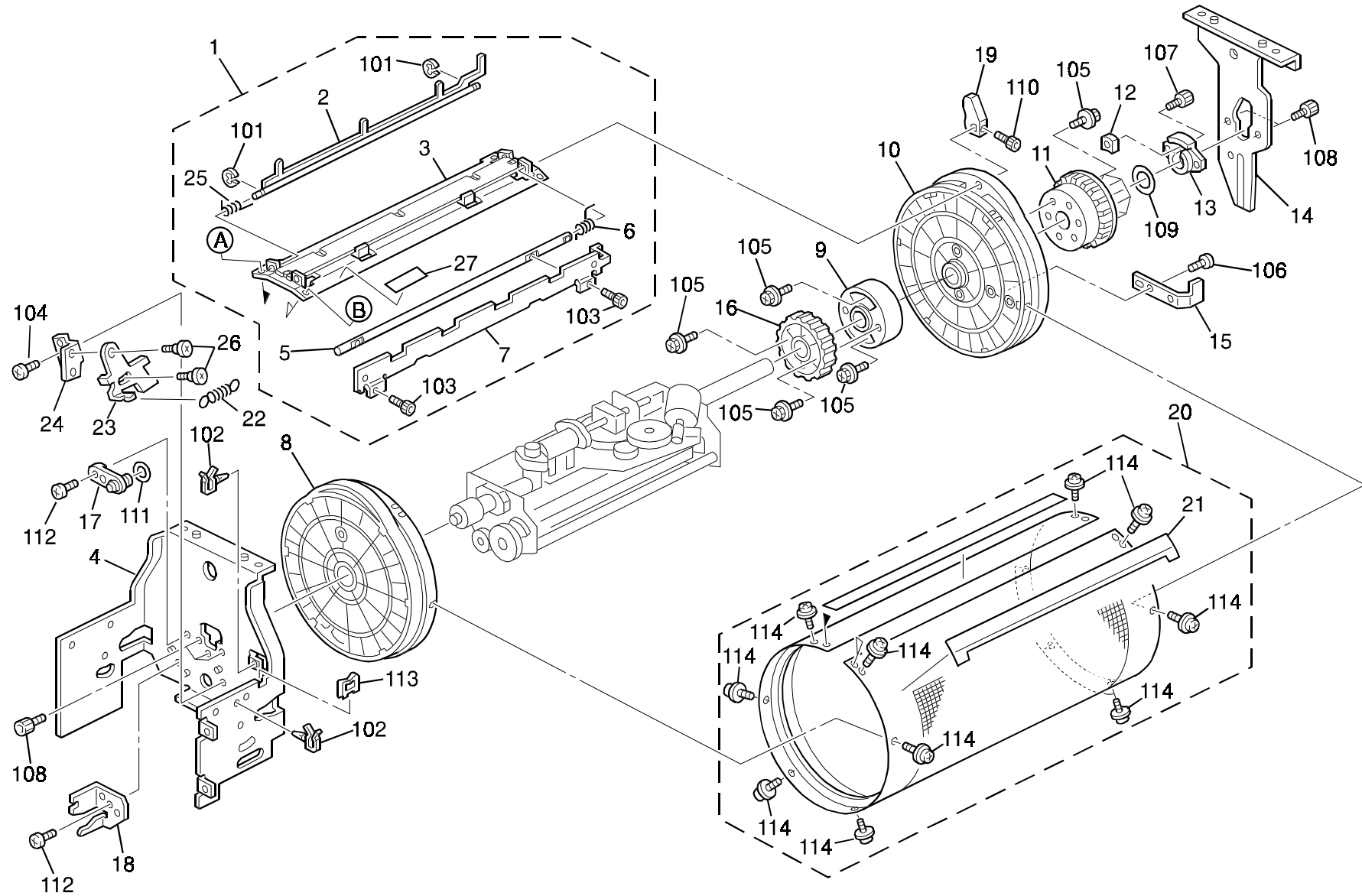


13.Drum Unit 1 (C237)

Index No.	Part No.	Description	Q'ty Per Assembly
1	C237 2300	Drum Unit (B4)	1
1	C237 2301	Drum Unit (LG)	1
1	C237 2302	Drum Unit (A4)	1
1	C237 2303	Drum Unit (CHINESE)	1
2	C231 5256	Grounding Wire	1
3	C237 2561	Slider Guide Left	1
4	C237 2551	Ink Holder Slyder	1
5	C231 2555	Slyder Guide	1
6	C231 2559	Spring	1
7	C231 2553	Left Rail - Ink Holder	1
8	C237 2554	Right Rail - Ink Holder	1
9	C231 2571	Decal - Ink Set Lever	1
10	C231 2531	Right Arm	1
11	C231 2556	Ink Release Lever	1
12	C231 2560	Lever Spring	1
13	C237 2535	Arm Pin	1
14	C231 2530	Left Arm	1
15	C231 2570	Decal - Ink Release Lever	1
16	C231 2534	Lower Drum Grip	1
17	C231 2536	Slider	1
18	C231 2543	Harness Cover	1
19	C231 2533	Stepped Screw	1
20	C231 2384	Seal	1
21	C231 2538	Connector Bracket	1
22	C231 5250	Drum Relay Harness	1
23	C231 2532	Pin	1
24	C201 4604	Drum Rail Roller	2
25	C229 2396	Spring Plate	1
26	C229 2390	Stepped Screw	1
27	C229 2392	Stopper Guide	1
28	C229 2391	Stopper Bracket	1
29	C201 5125	Stepped Screw - M6	2
30	C231 2525	Right Drum Stay	1
31	C231 2524	Left Drum Stay	1
32	C231 2526	Drum Grip	1

Index No.	Part No.	Description	Q'ty Per Assembly
33	C229 2394	Spring Plate	1
34	C231 2504	Drum Frame	1
34	C231 2507	Drum Frame (CHINESE)	1
35	C231 5257	Jumper Wire	1
36	C231 2519	Decal - Drum Replace	1
36	C231 2529	Decal - Drum Replace (CHINESE)	1
37	C231 2552	Shoulder Screw - M4	2
38	C231 2305	Cloth Screen - A4	1
38	C231 2304	Cloth Screen - LG	1
38	C231 2303	Cloth Screen - B4	1
39	C231 2390	Front Holder - A4	1
39	C231 2388	Front Holder - B4	1
40	C231 2391	Rear Holder - A4	1
40	C231 2389	Rear Holder - B4	1
41	C231 2383	Sensor Sheet	1
42	C231 2413	Friction Sheet - 17.5x25mm - B4	1
43	C231 2412	Friction Sheet - 214.5x25mm - B4	1
44	C231 2414	Friction Sheet - 194x25mm - LG, A4	1
101	0720 0060E	Retaining Ring - M6	
102	0354 0060Z	Philips Truss Head Screw - M4x6	
103	0720 0040Z	Retaining Ring - M4	
104	0353 0050Z	Philips Truss Head Screw - M3x5	
105	0807 5049	Wave Washer - 8 Mm	
106	0594 0060Z	Hexagon Socket Bolt - M4x6	
107	0450 4006B	Tapping Screw - 4x6	
108	0353 0080Z	Philips Truss Head Screw - M3x8	
109	0720 0060Z	Retaining Ring - M6	
110	0801 0103	Screw - M4X8	
111	0951 3008Z	Philips Screw With Flat Washer - M3	
112	0951 3006Z	Philips Screw With Flat Washer - M3	

14. Drum Unit 2 (C237)

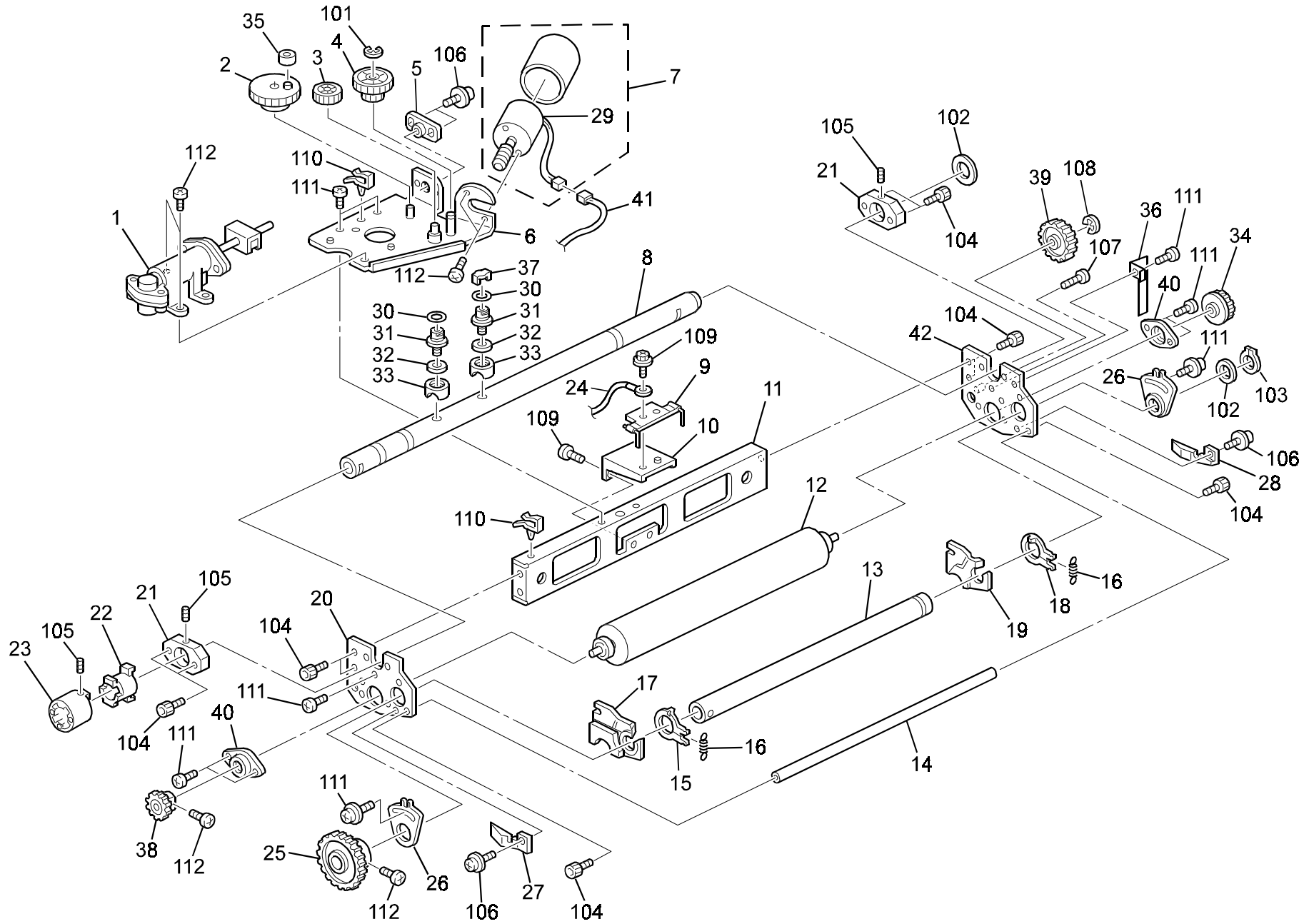


14.Drum Unit 2 (C237)

Index No.	Part No.	Description	Q'ty Per Assembly
1	C237 2401	Drum Clamper Ass'y	1
2	C231 2417	Master Exit Pawls	1
3	C231 2402	Clamper Base	1
4	C231 2520	Left Side Plate	1
5	C231 2406	Clamper Shaft	1
6	C217 4549	Rear Clamper Spring	1
7	C231 2405	Clamper Holder	1
8	C231 2364	Left Drum Flange (A4)	1
8	C231 2360	Left Drum Flange (B4)	1
9	C231 2370	Spacer	1
10	C231 2366	Right Drum Flange (A4)	1
10	C231 2362	Right Drum Flange (B4)	1
11	C231 2369	Drum Drive Gear	1
12	C231 2396	Stopper	1
13	C231 2395	Holder	1
14	C231 2521	Right Side Plate	1
15	C231 2368	Shielding Plate	1
16	C217 4581	Ink Roller Drive Gear	1
17	C231 2565	Ink Cartridge Joint	1
18	C231 2558	Release Lever Holder	1
19	C217 4504	Clamper Cam	1
20	C231 2585	Metal Screen - A4	1
20	C231 2583	Metal Screen - LG	1
20	C231 2580	Metal Screen - B4	1
21	C231 2582	Seal - B4	1
21	C231 2587	Seal - A4/LG	1
22	C231 2544	Stopper Spring	1
23	C231 2542	Stopper	1
24	C231 2541	Stopper Bracket	1
25	C217 4555	Eject Pawl Spring	1
26	C201 5125	Stepped Screw - M6	2
27	C231 2411	Rear Sensor Sheet	1

Index No.	Part No.	Description	Q'ty Per Assembly
101	0720 0020E	Retaining Ring - M2	
102	1105 0283	Clamp	
103	0804 6107	Hexagon Bolt - M2x4	
104	0354 0060Z	Philips Truss Head Screw - M4x6	
105	0450 3008B	Tapping Screw - M3x8	
106	0452 3006B	Tapping Screw - M3x6	
107	0593 0100Z	Bolt M3x10	
108	0594 0080Z	Bolt - M4x8	
109	0807 7114	Washer - 16x24x0.3mm	
110	0804 6091	Hexagonal Set Screw - M2x5	
111	0808 0021	Rubber Ring	
112	0801 1004	Screw - M4X4	
113	1105 0328	Harness Clamp - ES-0505	


15. Drum Unit 3 (C237)



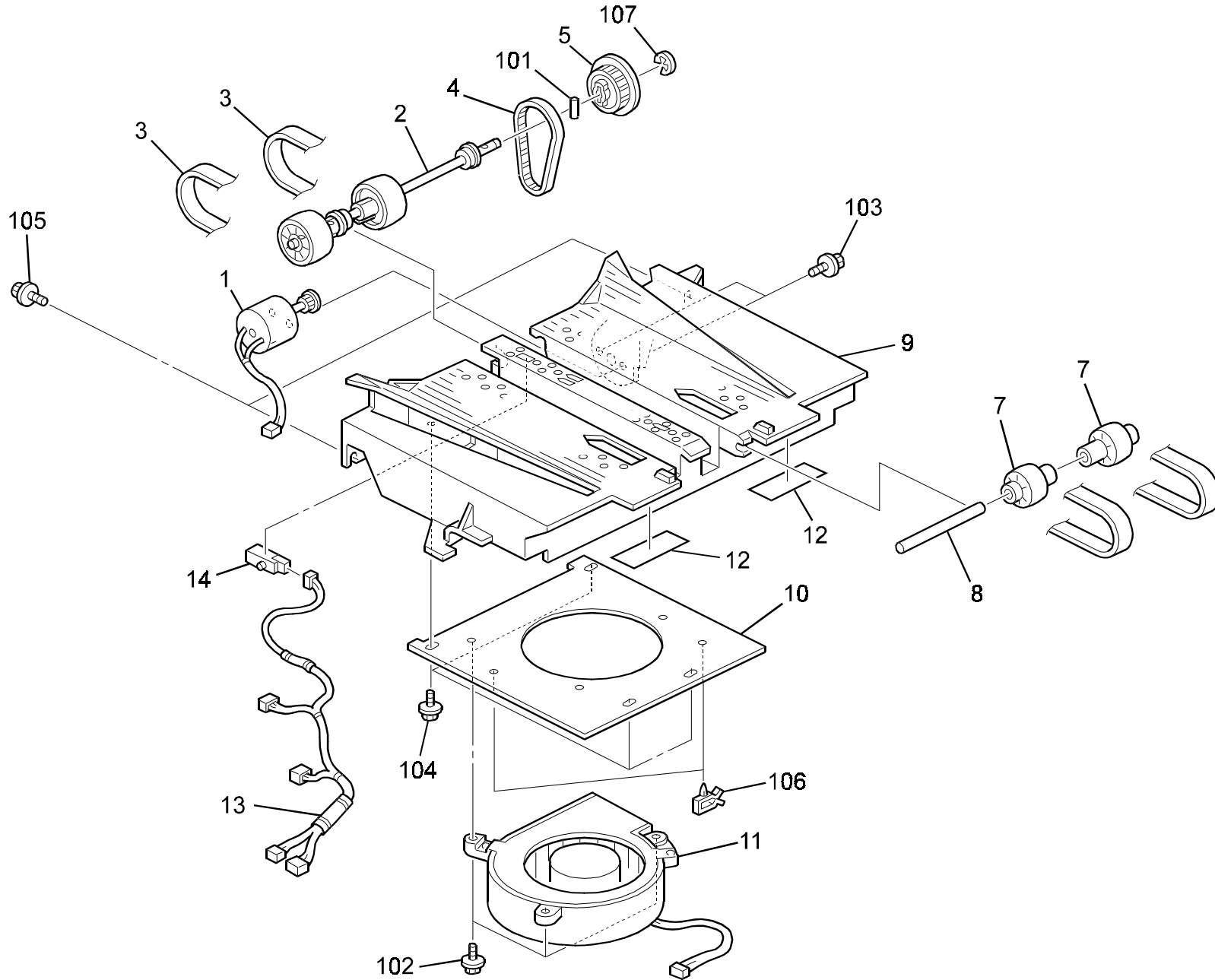
15. Drum Unit 3 (C237)

Index No.	Part No.	Description	Q'ty Per Assembly
1	C231 2498	Ink Pump Ass'y	1
2	C231 2437	Pump Drive Gear	1
3	C225 6013	Idle Gear	1
4	C231 2435	Worm Wheel	1
5	C200 4814	Bushing - 6x10x55mm	1
6	C231 2429	Pump Base	1
7	C229 2529	Ink Supply Motor	1
8	C231 2487	Drum Shaft - A4	1
8	C231 2481	Drum Shaft - B4	1
9	C231 2471	Ink Sensor	1
10	C231 2470	Ink Sensor Bracket	1
11	C231 2464	Drum Stay (A4)	1
11	C231 2463	Drum Stay (B4)	1
12	C231 2456	Ink Roller - A4	1
12	C231 2450	Ink Roller - B4	1
13	C231 2459	Doctor Roller - A4	1
13	C231 2458	Doctor Roller - B4	1
14	C231 2466	Drum Sub Stay (A4)	1
14	C231 2465	Drum Sub Stay (B4)	1
15	C218 4558	Front Doctor Roller Ring	1
16	C218 4560	Ring Spring	2
17	C218 4592	Front Bank Plate	1
18	C218 4559	Rear Doctor Roller Ring	1
19	C218 4594	Rear Bank Plate	1
20	C217 4512	Side Plate	1
21	C231 2495	Left Holder - Ink Roller	2
22	C231 2398	Spacer	1
23	C231 2397	Left Collar	1
24	C231 5253	Ink Sensor Harness	1
25	C200 4748	Gear - 45T	1
26	C200 4723	Adjusting Plate - Doctor Roller	2
27	C217 4598	Front Drum Blade	1
28	C217 4599	Rear Drum Blade	1
29	C229 5803	DC Motor - 50W	1
30	5316 7421	O - Ring	2



Index No.	Part No.	Description	Q'ty Per Assembly
31	C231 2485	Joint	2
32	C231 2484	Bushing Holder	2
33	C231 2483	Joint Rubber	2
34	C231 2460	Roller Drive Gear	1
35	C229 2525	Bushing - Pump Drive Gear	1
36	C217 4506	Grounding Plate	1
37	C231 2428	Valve	1
38	C217 4580	Gear - Doctor Roller Drive	1
39	C207 4672	Gear - 36Z	1
40	C201 4665	Bearing Holder	2
41	C231 5251	Relay Harness - Ink Pump	1
41	C231 5252	Relay Harness - Ink Pump	1
42	C217 4513	Rear Side Plate	1
			
101	0720 0060E	Retaining Ring - M6	
102	0807 7114	Washer - 16x24x0.3mm	
103	0725 0160E	Retaining Ring C - M16	
104	0594 0080Z	Bolt - M4x8	
105	0574 0040E	Hexagon Headless Set Screw - M4x4	
106	0951 4006Z	Philips Screw With Flat Washer - M4	
107	0314 0080Z	Philips Screw - 4x8	
108	0720 0050Z	Retaining Ring - M5	
109	0451 3006B	Tapping Screw - M3x6	
110	1105 0283	Clamp	
111	0354 0060Z	Philips Truss Head Screw - M4x6	
112	0353 0050Z	Philips Truss Head Screw - M3x5	

16.Vacuume Fan Unit (C237)

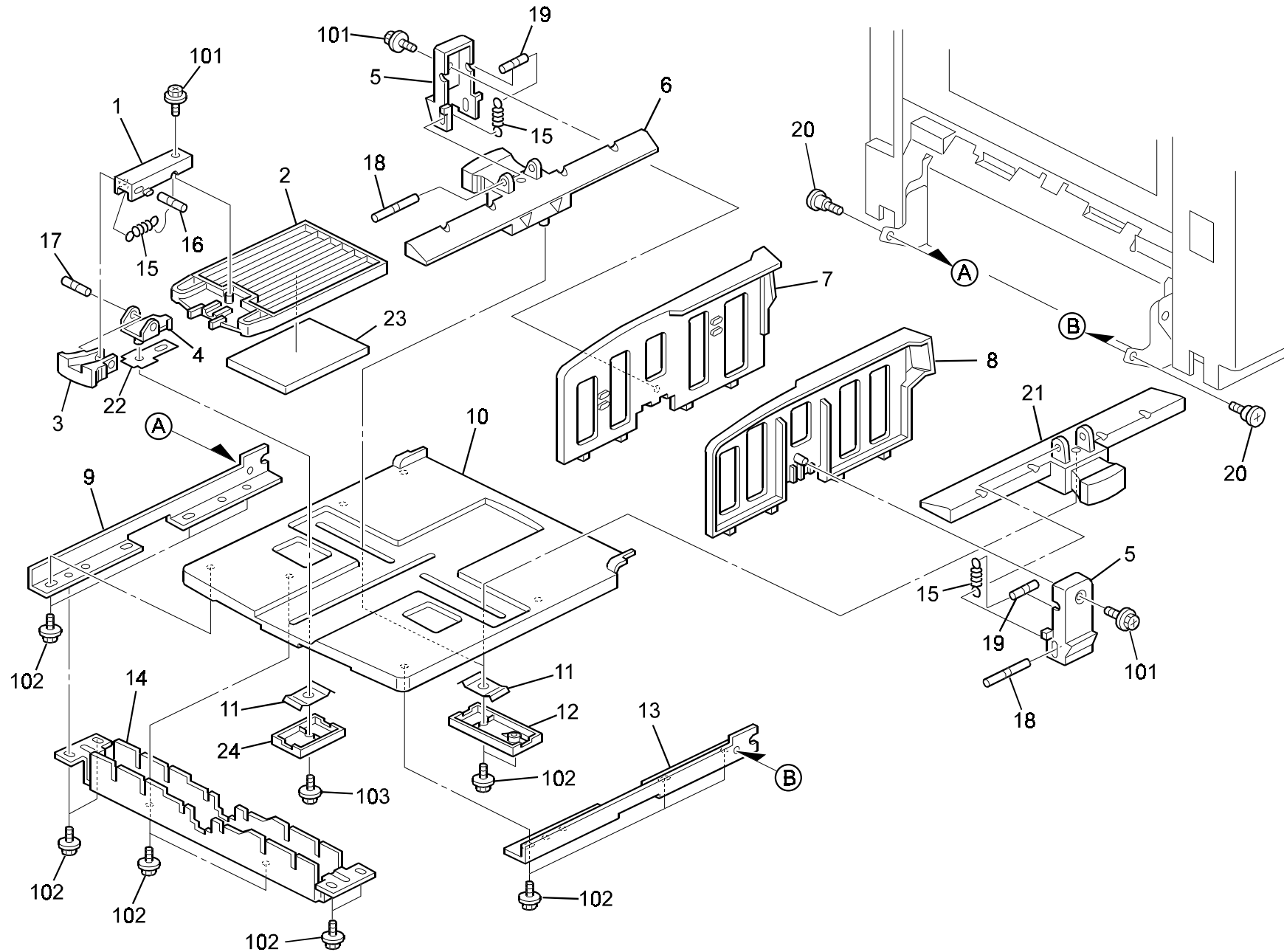


16. Vacuume Fan Unit (C237)

Index No.	Part No.	Description	Q'ty Per Assembly
*	C237 3800	Paper Delivery Unit	1
*	C237 3803	Paper Delivery Unit - Chinese	
1	C231 5812	Paper Delivery Motor	1
2	C231 3871	Drive Roller	1
3	C231 3878	Transport Belt	2
4	C231 3871	Drive Roller	2
5	C231 3875	Drive Pulley	1
6	C231 3879	Timing Belt	1
7	C231 3872	Drive Roller	2
8	C231 3877	Driven Shaft	1
9	C231 3861	Delivery Duct	1
10	C231 3852	Fan Bracket	1
11	C237 5880	Air Knife Fan	1
12	C237 3890	Seal - Paper Delivery Unit (CHINESE)	1
13	C231 5272	Paper Delivery Harness	1
14	AW01 0076	Photosensor - PS-117D1	1

Index No.	Part No.	Description	Q'ty Per Assembly
101	0633 0140G	Parallel Pin - 3x14	
102	0451 4014B	Tapping Screw - M4x14	
103	0451 3006B	Tapping Screw - M3x6	
104	0450 4008B	Tapping Screw - 4x8	
105	0451 4008H	Tapping Screw - 4x8	
106	1105 0267	Harness Clamp - YMC-10-0	
107	0720 0060E	Retaining Ring - M6	

17. Delivery Table (C237)

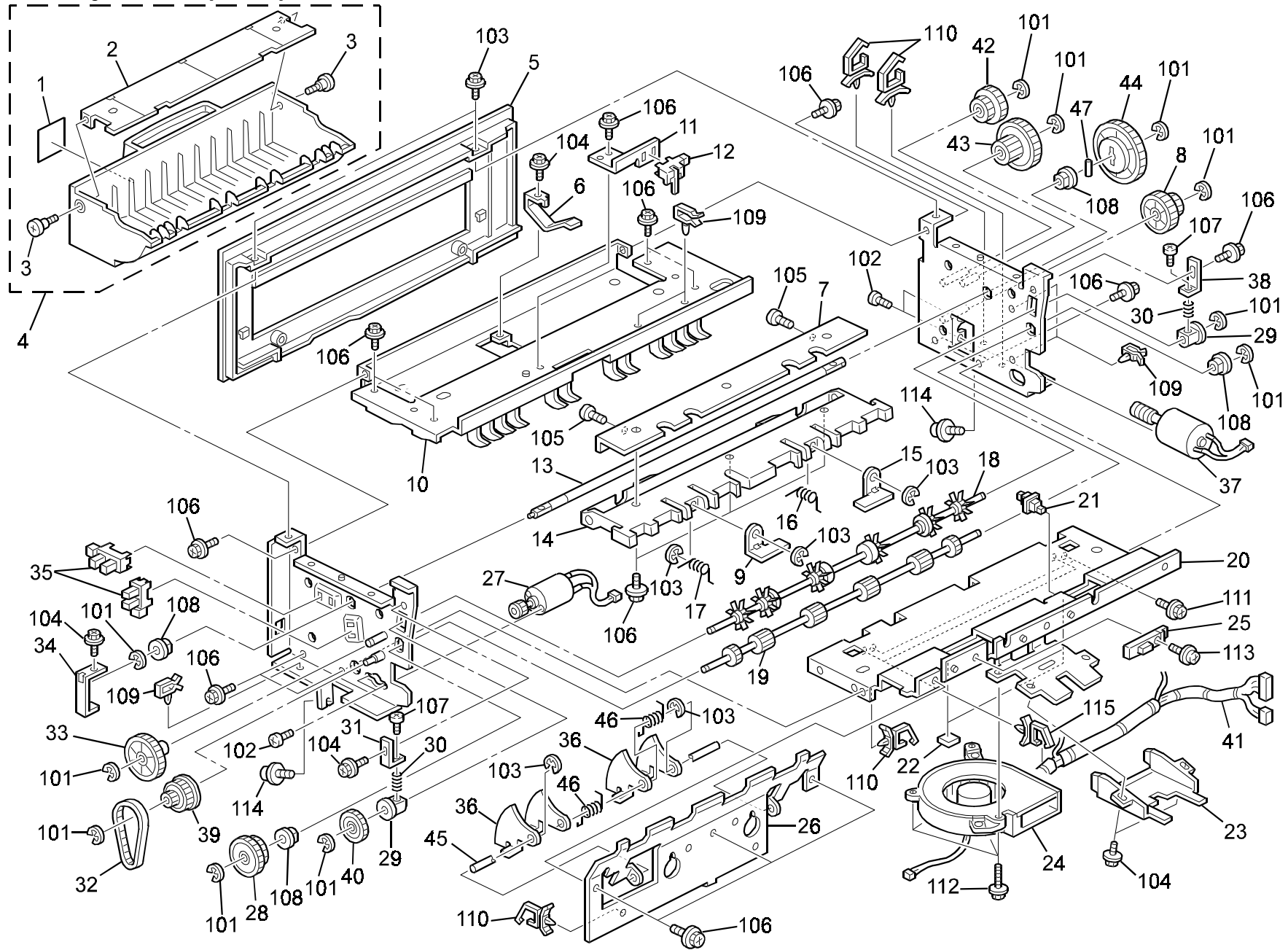


17.Delivery Table (C237)

Index No.	Part No.	Description	Q'ty Per Assembly
*	C231 4201	Paper Delivery Table Ass'y	1
1	C231 4416	End Plate Case	1
2	C231 4406	End Plate Fence	1
3	C231 4408	Side Fence Grip	1
4	C231 4410	End Plate Bracket	1
5	C231 4407	Side Fence Case	2
6	C233 4392	Rear Lower Guide	1
6	C233 4394	Rear Lower Guide (CHINESE)	1
7	C231 4428	Rear Side Fence	1
8	C231 4427	Front Side Fence	1
9	C231 4402	Rear Stay	1
10	C231 4390	Bottom Plate	1
11	C231 4420	Slider Spring Plate	2
12	C233 4410	Slider Cover	2
13	C231 4401	Front Stay	1
14	C231 4409	Support Plate	1
15	C231 4413	Delivery Table Spring	3
16	C225 6113	Upper Pressure Spring Pin	1
17	C231 4419	End Plate Pin	1
18	C231 4414	Lower Side Fence Pin	2
19	C231 4415	Upper Side Fence Pin	2
20	C217 4426	Shoulder Screw	2
21	C233 4391	Front Lower Guide	1
21	C233 4393	Front Lower Guide (CHINESE)	1
22	C231 4425	End Plate Sheet	1
23	C231 4426	End Plate Cushion	1
24	C231 4421	Slider Cover	1

Index No.	Part No.	Description	Q'ty Per Assembly
101	0450 3008H	Tapping Screw M3x8	
102	0450 4008B	Tapping Screw - 4x8	
103	0450 3012B	Tapping Screw -3x12	
104	0451 4006B	Tapping Screw - 4x6	
105	0451 3008B	Tapping Screw - M3x8	

18.Master Eject unit (C237)

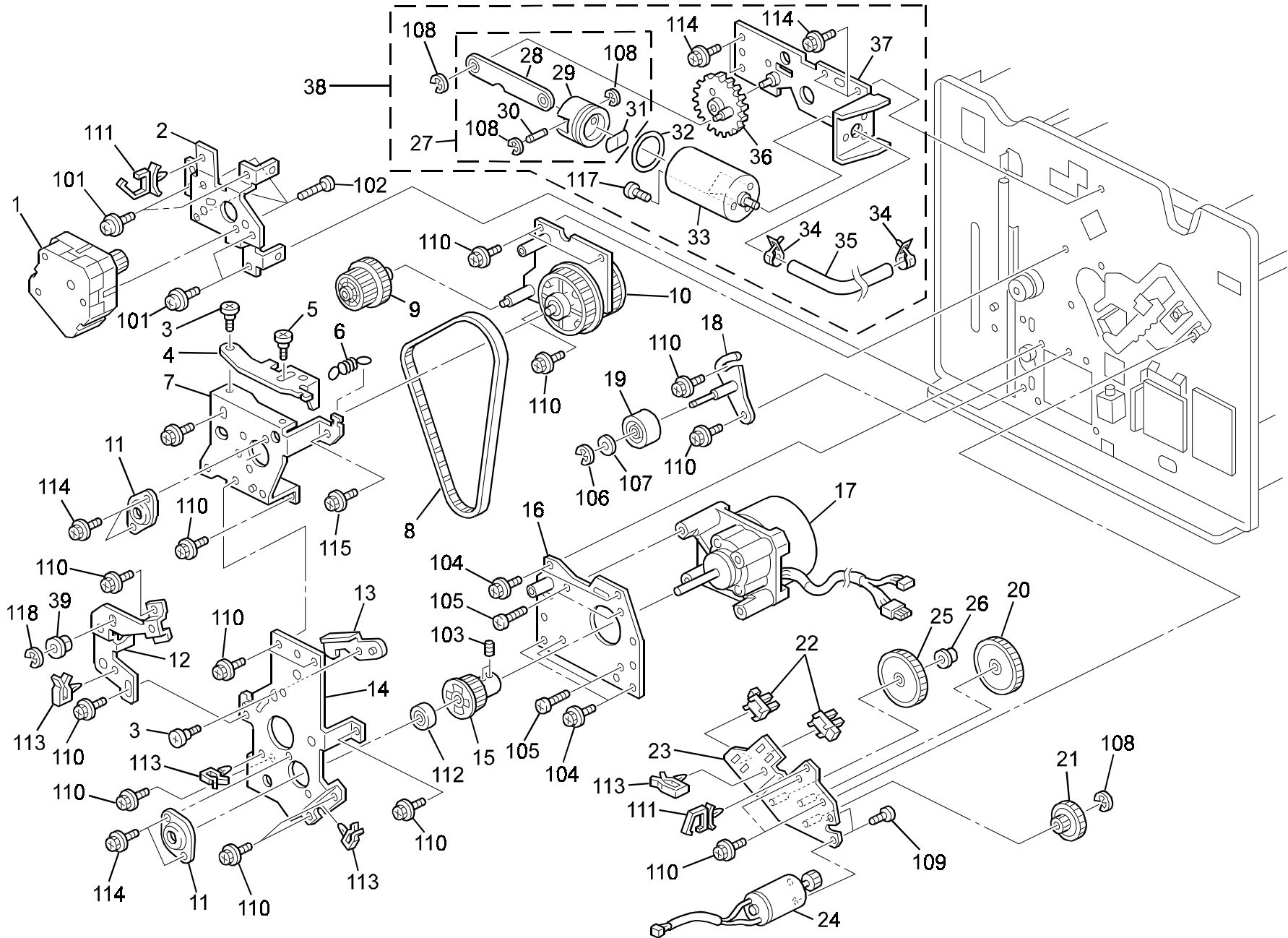


18.Master Eject unit (C237)

Index No.	Part No.	Description	Q'ty Per Assembly
1	C231 3521	Decal Eject Box	1
2	C231 3512	Eject Box Cover	1
3	C231 3513	Stepped Screw	2
4	C237 3510	Master Eject Box	1
5	C231 3541	Unit Cover	1
6	C231 3479	Spring Plate	1
7	C237 3506	Guide Plate	2
8	C231 3516	Worm Wheel	1
9	C237 3522	Pressure Plate	2
10	C237 3476	Unit Stay	1
11	C231 3485	Sensor Bracket	1
12	C217 8446	Photointerruptor - Master Eject	1
13	C237 3504	Pressure Plate Shaft	1
14	C237 3501	Pressure Plate	1
15	C237 3521	Front Holder	1
16	C237 3525	Spring	1
17	C237 3524	Pressure Spring	2
18	C237 3481	Upper Eject Roller	1
19	C231 3482	Lower Eject Roller	1
20	C237 3465	Unit Base	1
21	AW50 0012	Push Switch	1
22	C237 3576	Separation Plate Cushion	1
23	C231 4352	Air Knife Duct	1
24	C237 5880	Air Knife Fan	1
25	C203 8137	Master Sensor	1
26	C237 3474	Air Knife Bracket	1
27	C231 5812	DC Motor	1
28	C231 3489	Lower Roller Gear	1
29	C231 3486	Bushing	2
30	C231 3487	Pressure Spring	2
31	C231 3458	Front Bracket	1
32	C237 3491	Timing Belt - S2M 76Z	1
33	C231 3492	Large Pulley	1
34	C231 3505	Position Sensor Feeler	1
35	AW02 0075	Photointerruptor	2

Index No.	Part No.	Description	Q'ty Per Assembly
36	C237 3571	Master Pick-off Pawl	1
37	C229 5803	DC Motor - 50W	1
38	C231 3468	Rear Bracket	1
39	C231 3493	Coupled Gear - Large	1
40	C231 3494	Gear - Lower Roller	1
41	C237 5280	Eject Unit Harness	1
42	C231 3519	Second Gear	1
43	C231 3518	First Gear	1
44	C237 3684	Gear - Pressure Plate	1
45	C237 3575	Master Pick-off Pawl Shaft	1
46	C237 3573	Spring	2
47	C237 3505	Pin 3x16	1
101	0720 0040E	Retaining Ring - M4	
102	0801 1135	Philips Pan Head Screw - M3x3	
103	0720 0020E	Retaining Ring - M2	
104	0451 3006B	Tapping Screw - M3x6	
105	0353 0060Z	Screw - M3X6	
106	0451 4006B	Tapping Screw - 4x6	
107	0353 0050Z	Philips Truss Head Screw - M3x5	
108	0805 3385	Bushing - 6mm	
109	1105 0267	Harness Clamp - YMC-10-0	
110	1105 0291	Harness Clamp - LWS-3S	
111	0450 3008B	Tapping Screw - M3x8	
112	0451 4014B	Tapping Screw - M4x14	
113	0951 3010Z	Philips Screw With Flat Washer - M3	
114	0801 0137	Philips Pan Head Screw With Spring	

19. Drive Section (C237)

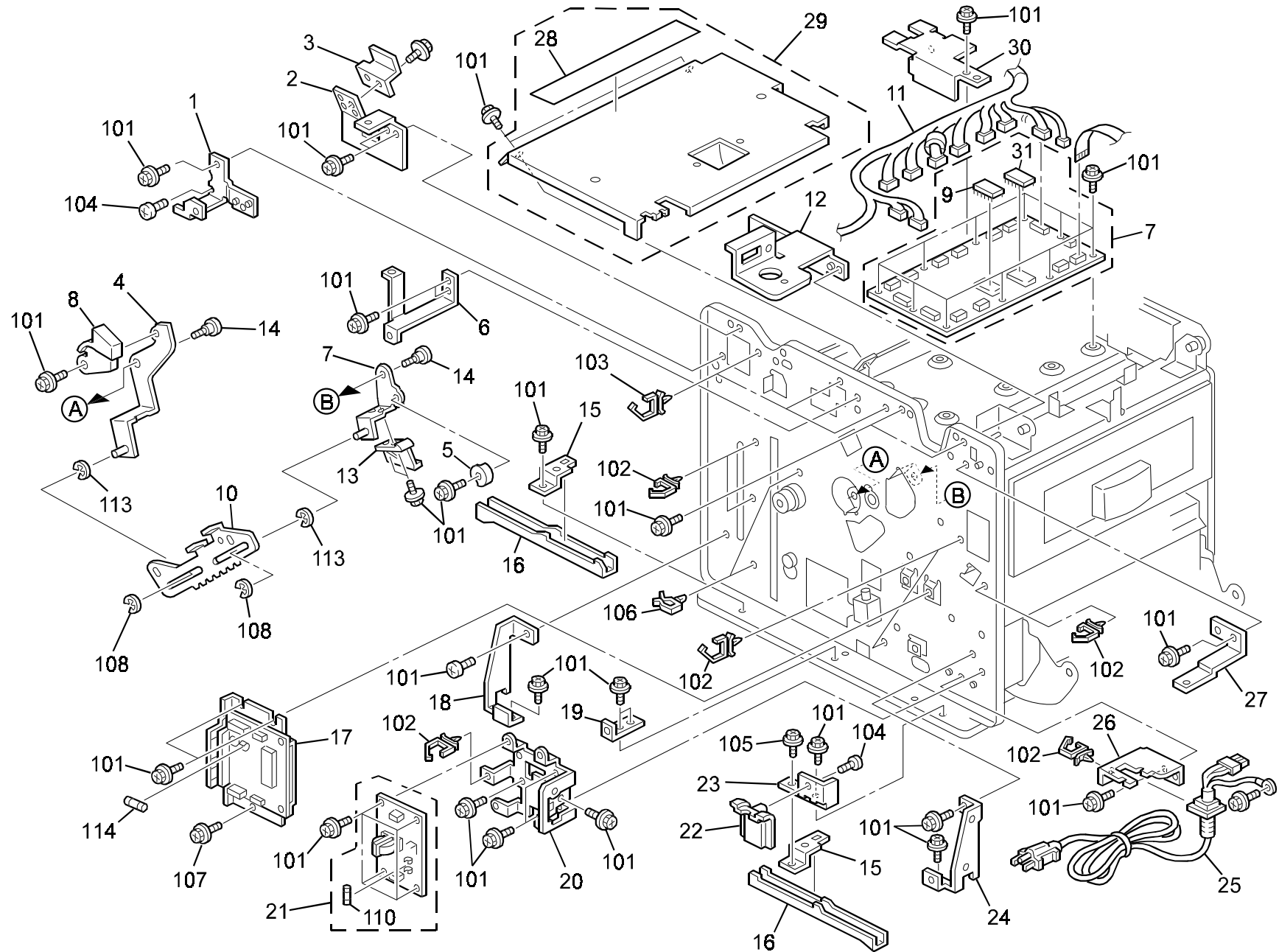


19. Drive Section (C237)

Index No.	Part No.	Description	Q'ty Per Assembly
1	C229 5814	DC Motor - 24V	1
2	C231 2785	Motor Bracket	1
3	C201 5125	Stepped Screw - M6	2
4	C231 1173	Gear Stopper	1
5	C217 4426	Shoulder Screw	1
6	C231 1174	Gear Spring	1
7	C231 1172	Drum Drive Side Plate	1
8	C231 1180	Timing Belt - 130S3M588UG	1
9	C217 5077	Feed Drive Pulley	1
10	C231 1160	Drum Drive Gear Unit	1
10	C237 1169	Drum Drive Gear Unit (CHINESE)	1
11	C201 5134	Bearing Holder	2
12	C231 2855	Clutch Bracket	1
13	C231 1175	Adjust Stopper	1
14	C231 1154	Drive Support Plate	1
15	C217 2210	Main Motor Pulley	1
16	C231 1150	Main Motor Bracket	1
17	C231 5890	Main Motor - DC24V	1
18	C231 1156	Adjust Tightner	1
19	C217 2221	Tension Roller	1
20	C200 2331	Gear - 20T	2
21	C200 3604	Coupled Gear - 16T & 50T	1
22	AW02 0075	Photointerruptor	2
23	C231 4075	Clamp Drive Side Plate	1
24	C237 5830	Master Eject Motor - DC24V/7.2W	1
25	C200 2332	Gear - 16T	1
26	C237 6661	Clamper Sleeve	1
27	C213 6037	Air Piston Ass'y	1
28	C213 6038	Piston Link	1
29	C213 6040	Piston	1
30	C209 6213	Piston Pin - Air Pump	1
31	C213 6042	Piston Valve	1
32	C213 6041	Oring - 33.7	1
33	C213 6043	Air Pamp Cylinder	1
34	C209 4711	Hose Band	2

Index No.	Part No.	Description	Q'ty Per Assembly
35	C237 4367	Hose	1
36	C237 4373	Pump Driven Gear	1
37	C237 4351	Air Pump Bracket	1
38	C237 4206	Paper Exit Pump	1
39	C237 2843	Bushing	1
101	0960 4008Z	Flange Head Screw - 4x8	
102	0450 4025B	Tapping Screw With Washer - M4x25	
103	0575 0060E	Hexagon Headless Set Screw - M5x6	
104	0451 4008B	Philips Tapping Screw - M4X8	
105	0315 0200Z	Philips Screw - 5x20	
106	0720 0060E	Retaining Ring - M6	
107	0807 5044	Spacer - 8.1mm X 11.5mm X 0.2	
108	0720 0030E	Retaining Ring - M3	
109	0801 1135	Philips Pan Head Screw - M3x3	
110	0451 4006B	Tapping Screw - 4x6	
111	1105 0291	Harness Clamp - LWS-3S	
112	0740 3010	Ball Bearing - 10x26x8mm	
113	1105 0283	Clamp	
114	0451 3006B	Tapping Screw - M3x6	
115	0451 4008W	Tapping Screw - M4x8	
116	0951 4005Z	Philips Screw With Flat Washer - M4x5	
117	0313 0060Z	Philips Pan Head Screw - M3x6	
118	0720 0060B	Retainig Ring - M6	

20.Electrial Section 1 (C237)

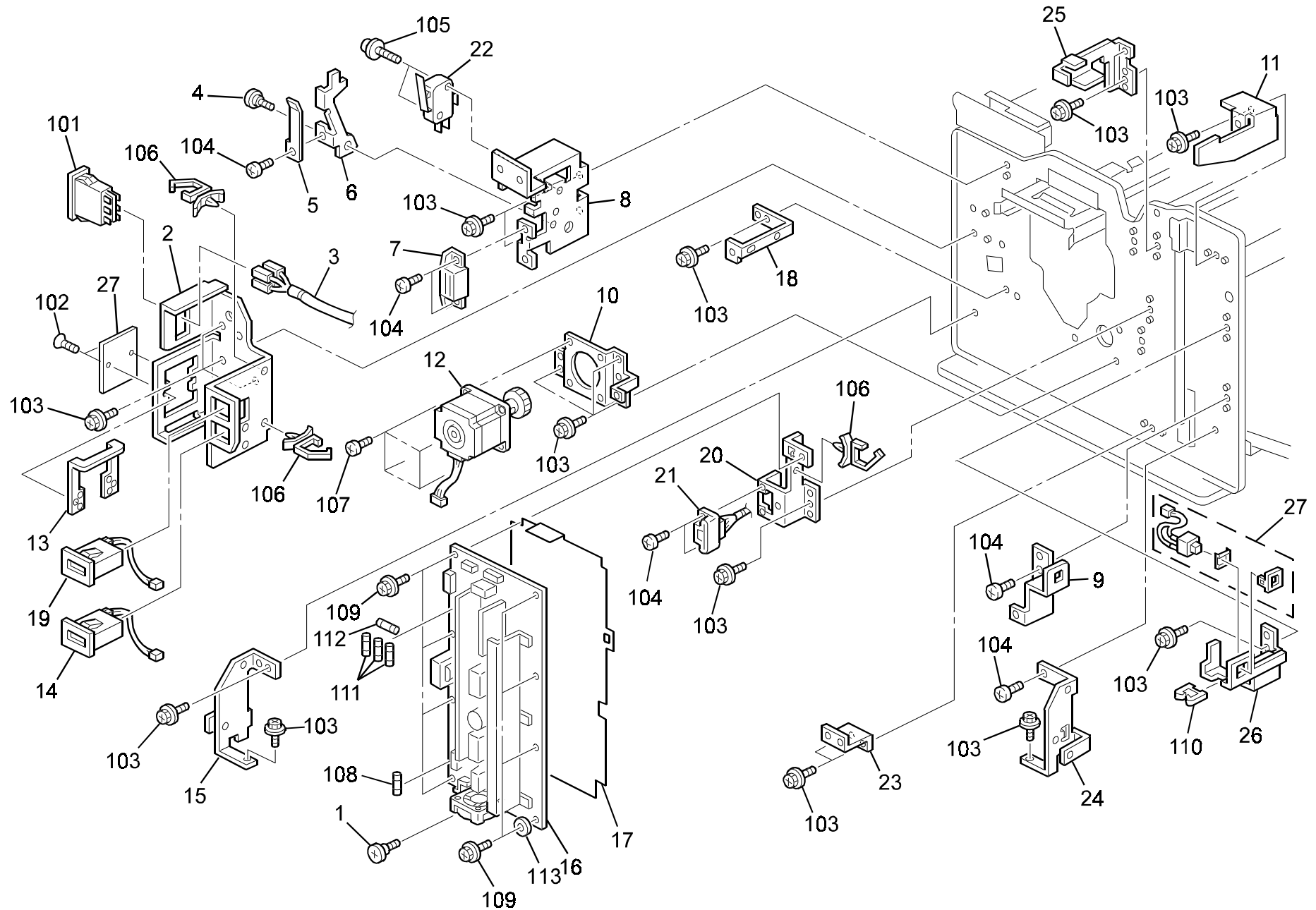


20.Electrial Section 1 (C237)

Index No.	Part No.	Description	Q'ty Per Assembly
1	C231 1364	Right Bracket - Rear Cover	1
2	C237 1356	LED Bracket	1
3	C237 1359	LED Cover Bracket	1
4	C237 4060	Master Feed Clamp Lever	1
5	C217 4418	Cover Cap	2
6	C237 1366	Upper Bracket - Rear Cover	1
7	C237 5100	MPU Board	1
7	C237 5150	MPU Board - ASIA	1
8	C231 4063	Drum Pin Catcher	1
9	C237 5105	Main ROM	1
9	C237 5155	Main ROM - ASIA	1
10	C237 4055	Clamp Rack	1
11	C237 5200	DC Main Harness	1
12	C237 1355	Connector Bracket	1
13	C231 4062	Drum Positioning Guide	1
14	C217 4426	Shoulder Screw	2
15	C231 1068	Rear Guide Bracket	2
16	C231 1061	Grip	2
17	C237 5101	Main Motor Control Board	1
18	C231 1065	Right Rear Guide - Grip	1
19	C231 1365	Lower Bracket - Rear Cover	1
20	C231 5630	Noise Filter Bracket	1
21	C231 5122	Noise Filter Board - 115V	1
21	C231 5123	Noise Filter Board - 230V	1
21	C237 5124	Noize Filter Board (CHINESE)	1
22	C231 1370	Power Supply Cord Cover	1
23	C231 1375	Power Supply Cord Bracket	1
24	C231 1064	Left Rear Guide - Grip	1
25	C231 5008	Power Supply Cord - 115V	1
25	C231 5009	Power Supply Cord - 230V	1
25	C231 5011	Power Supply Cord	1
26	C231 5670	Cord Bracket	1
27	C237 1358	Left Upper Bracket	1
28	C231 5660	Decal - Master Set	1
29	C237 5606	MPU Cover	1

Index No.	Part No.	Description	Q'ty Per Assembly
30	C237 6011	Front Harness Cover	1
31	c237 5107	Feed ROM	1
101	0451 4006B	Tapping Screw - 4x6	
102	1105 0291	Harness Clamp - LWS-3S	
103	1105 0292	Wire Saddle	
104	0452 3006B	Tapping Screw - M3x6	
105	0451 3008B	Tapping Screw - M3x8	
106	1105 0267	Harness Clamp - YMC-10-0	
107	0451 3006B	Tapping Screw - M3x6	
108	0720 0040E	Retaining Ring - M4	
109	0801 1004	Screw - M4X4	
110	1107 0393	Fuse (Glass Case) - 8A - 125V	
110	1107 0772	Fuse - 5A 250V	
111	0451 4008W	Tapping Screw - M4x8	
112	0452 4008B	Binding Self Tapping Screw - M4x8	
113	0720 0040Z	Retaining Ring - M4	
114	1107 0935	Fuse - 10A 125V	

21.Electrical Section 2 (C237)

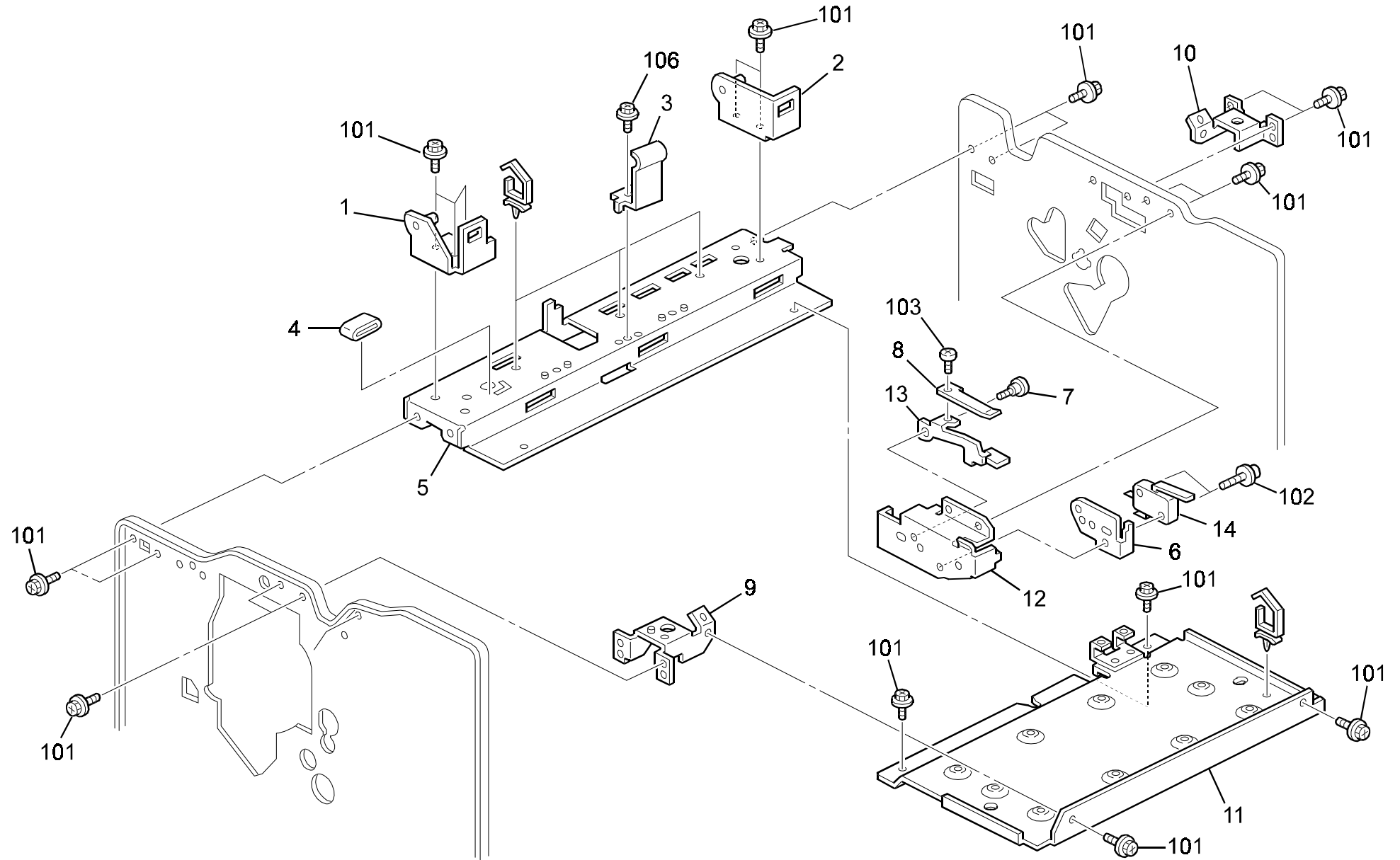


21.Electrial Section 2 (C237)

Index No.	Part No.	Description	Q'ty Per Assembly
1	C219 3950	Stepped Screw	1
2	C237 5650	Switch Bracket	1
3	C231 5201	AC Main Harness	1
4	C218 2185	Stepper Screw	1
5	C218 2173	Support Plate - Safety Switch - LT	1
6	C224 2172	Safety Switch Lever	1
7	AG07 0004	Magnetic Catch	1
8	C237 5685	Door Switch Bracket	1
9	C237 1397	Right Lower Bracket	1
10	C231 2871	Motor Bracket	1
11	C237 1388	Operation Panel Bracket	1
12	C237 5876	Registration Motor Ass'y	1
13	A030 1339	Plate Nut - Key Counter	1
14	C237 5462	Copy Counter	1
15	C231 5213	Drum Relay Harness	1
16	C237 5300	Power Supply Unit	1
17	C231 5623	Insulating Sheet	1
18	C231 1398	Left Lower Bracket	1
19	C237 5461	Master Counter	1
20	C237 2611	Connector Bracket	1
21	C231 5213	Drum Relay Harness	1
22	C237 1442	Micro Switch - V-152-3A5(10E)	1
23	C231 5622	Lower Left Bracket	1
24	C237 1063	Front Right Guide	1
25	C231 1396	Right Upper Bracket	1
26	C237 5690	Push Switch Bracket	1
27	C209 8288	Table Down Switch	1
28	C217 2455	Key Counter Cover	1

Index No.	Part No.	Description	Q'ty Per Assembly
101	1204 2501	Main Switch	
102	0323 0100Z	Philips Sunken Head Screw - M3x10	
103	0451 4006B	Tapping Screw - 4x6	
104	0353 0050Z	Philips Truss Head Screw - M3x5	
105	0951 3014Z	Philips Screw W/h Flat Waser - M3x14	
106	1105 0292	Wire Saddle	
107	0354 0100B	Screw - M4X10	
108	1107 0932	Fuse	
109	0451 3008B	Tapping Screw - M3x8	
110	1105 0328	Harness Clamp - ES-0505	
111	1107 0391	Fuse - 5A, 125V	
112	1107 0392	Fuse - 6.3A 125V	
113	0703 0030Z	Spring Washier 3	

22.Frame Section 1 (C237)

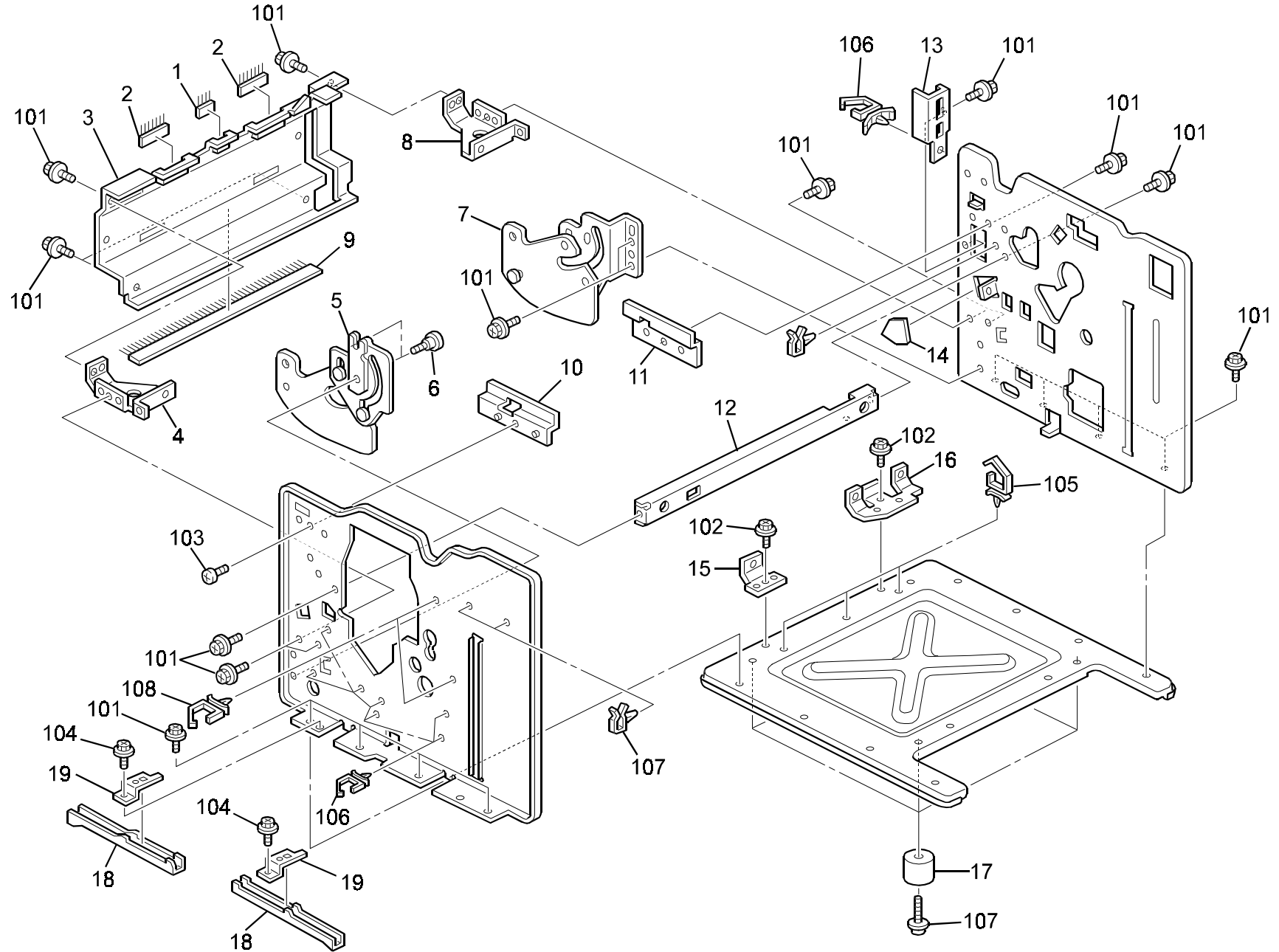


22.Frame Section 1 (C237)

Index No.	Part No.	Description	Q'ty Per Assembly
1	C237 6005	Front Bracket	1
2	C231 6007	Rear Fixing Bracket	1
3	C231 5613	Grounding Plate	1
4	C226 8010	Ferrite Core - FPC-25-12	1
5	C231 6001	Upper Left Stay	1
6	C218 2071	Safety Swtich Stopper - LT	1
7	C218 2185	Stepper Screw	1
8	C218 2173	Support Plate - Safety Switch - LT	1
9	C231 6015	Holder Bracket - Front	1
10	C231 6016	Holder Bracket - Rear	1
11	C231 5600	MPU Base	1
12	C231 5607	Scanner Switch Bracket	1
13	C226 2172	Safety Switch Lever	1
14	C237 1442	Micro Switch - V-152-3A5(10E)	1

Index No.	Part No.	Description	Q'ty Per Assembly
101	0451 4006B	Tapping Screw - 4x6	
102	0951 3014W	Philips Screw With Flat Washer - M3	
103	0353 0050Z	Philips Truss Head Screw - M3x5	

23.Frame Section 2 (C237)



23.Frame Section 2 (C237)

Index No.	Part No.	Description	Q'ty Per Assembly
1	C237 3886	Short Antistatic Brush	1
2	C237 3885	Long Antistatic Brush	2
3	C231 3880	Paper Delivery Stay	1
4	C231 3881	Front Bracket	1
5	C231 4432	Front Hinge	1
6	C231 4438	Stepped Screw	1
7	C231 4441	Rear Hinge	1
8	C231 3882	Rear Bracket	1
9	C237 3888	Antistatic Brush	2
10	C237 3532	Front Slide Rail - Master Eject	2
11	C237 3531	Rear Slide Rail - Master Eject	1
12	C231 3551	Lower Stay - Master Eject	1
13	C237 3535	Connector Bracket - Master Eject	1
14	C205 3150	Seal - Large	1
15	C231 3883	Front Lower Bracket	1
16	C231 3884	Rear Lower Bracket	1
17	C231 1057	Rubber Foot	4
18	C231 1061	Grip	2
19	C231 1067	Front Guide Bracket	2

Index No.	Part No.	Description	Q'ty Per Assembly
101	0451 4006B	Tapping Screw - 4x6	
102	0451 4008W	Tapping Screw - M4x8	
103	0801 1004	Screw - M4X4	
104	0451 3008B	Tapping Screw - M3x8	
105	1105 0292	Wire Saddle	
106	1105 0310	Harness Clamp - LWS-1S	
107	0951 4020Z	Philips Screw With Flat Washer - M4	
108	1105 0316	Clamp	

24.MPU Board (C237)

BZ

CAPACITOR

SYMBOL NO.	INDEX NO.	SYMBOL NO.	INDEX NO.	SYMBOL NO.	INDEX NO.	SYMBOL NO.	INDEX NO.	SYMBOL NO.	INDEX NO.	SYMBOL NO.	INDEX NO.	SYMBOL NO.	INDEX NO.
BZ101	147	C101	211	C111	200	C121	211	C131	161	C141	211	C151	209
		C102	211	C112	211	C122	211	C132	211	C142	211	C152	211
		---	---	C113	209	C123	203	C133	203	C143	211	C153	162
		C104	201	C114	205	C124	203	C134	202	C144	211	C154	211
		C105	201	C115	203	C125	202	C135	211	C145	211	C155	161
		C106	200	C116	203	C126	211	C136	206	C146	211	C156	211
		C107	201	C117	202	C127	203	C137	206	C147	159	C157	210
		C108	200	C118	203	C128	202	C138	209	C148	211	C158	211
		C109	211	C119	158	C129	203	C139	210	C149	207	C159	211
		C110	200	C120	201	C130	211	C140	210	C150	207	C160	211

CAPACITOR

SYMBOL NO.	INDEX NO.	SYMBOL NO.	INDEX NO.	SYMBOL NO.	INDEX NO.	SYMBOL NO.	INDEX NO.	SYMBOL NO.	INDEX NO.	SYMBOL NO.	INDEX NO.	SYMBOL NO.	INDEX NO.
C161	158	C171	211	C181	211	C191	211	C201	211	C211	158	C221	211
C162	211	C172	211	C182	211	C192	211	C202	158	C212	158	C222	211
C163	160	C173	211	C183	211	C193	211	C203	210	C213	210	C223	211
C164	211	C174	211	C184	158	C194	211	C204	210	C214	210	C224	210
C165	211	C175	206	C185	211	C195	211	C205	209	C215	209	C225	210
C166	211	C176	206	C186	210	C196	211	C206	209	C216	210	C226	210
C167	211	C177	209	C187	209	C197	210	C207	211	C217	211	C227	210
C168	211	C178	205	C188	208	C198	210	C208	204	C218	211	C228	211
C169	157	C179	211	C189	208	C199	209	C209	211	C219	209	C229	211
C170	211	C180	211	C190	208	C200	211	C210	211	C220	211	C230	211

24.MPU Board (C237)

CAPACITOR

SYMBOL NO.	INDEX NO.
C231	211
C232	211
C233	210
C234	210
C235	210
C236	210
C237	211
C238	211
C239	211
C240	209

SYMBOL NO.	INDEX NO.
C241	158
C242	211
C243	209
C244	211
C245	211
C246	211
C247	211
C248	211
C249	209
C250	211

SYMBOL NO.	INDEX NO.
C251	211
C252	211
C253	211
C254	211
C255	211
C256	205
C257	205
C258	156
C265	217

CONNECTOR

SYMBOL NO.	INDEX NO.
CN101	109
CN102	108
CN103	106
CN104	104
CN105	106
CN106	102
CN107	104
CN108	106
CN109	105
CN110	111

SYMBOL NO.	INDEX NO.
CN111	103
CN112	102
CN113	110
CN114	107

DIODE

SYMBOL NO.	INDEX NO.
D101	120
D102	120
D103	122
D104	122
D105	122
D106	122
D107	121
D108	121
D109	121
D110	121

SYMBOL NO.	INDEX NO.
D111	121
D112	120

FILTER

SYMBOL NO.	INDEX NO.
FIL101	163
FIL102	163
FIL103	163
FIL104	164
FIL105	164
FIL106	164
FIL107	164
FIL108	164

FUSE

SYMBOL NO.	INDEX NO.
FU101	114
FU101	116
FU102	114
FU102	116

IC

SYMBOL NO.	INDEX NO.
IC101	141
IC102	143
IC103	140
IC104	146
IC105	125
IC106	15
----	----
----	----
IC109	145
IC110	132
IC111	124

SYMBOL NO.	INDEX NO.
IC112	142
IC113	14
IC114	212
IC115	124
IC116	124
IC117	139
IC118	138
IC119	138
IC120	8
IC121	132

SYMBOL NO.	INDEX NO.
IC122	213
IC123	144
IC124	144
IC125	138
IC126	213
IC127	144
IC128	1
(Socket)	115
IC129	12
IC130	10

SYMBOL NO.	INDEX NO.
IC131	132
IC132	11
IC133	214
IC134	132
IC135	128
IC136	137
IC137	132
IC138	126
IC139	135
IC140	132

SYMBOL NO.	INDEX NO.
IC141	4
(Socket)	215
IC142	127
IC143	126
IC144	135
IC145	16
IC146	132
IC147	133
IC148	136
IC149	134
IC150	131

24.MPU Board (C237)

IC

SYMBOL NO.	INDEX NO.
IC151	132
IC152	132
IC153	129
IC154	129
IC155	132
IC156	136
IC157	130

SYMBOL NO.	INDEX NO.
LED101	123

OSC

SYMBOL NO.	INDEX NO.
OSC101	9
OSC102	149
OSC103	150
OSC104	148

Q

SYMBOL NO.	INDEX NO.
Q101	119
Q102	118
Q103	117
Q104	117
Q105	117
Q106	117
Q107	117
Q108	118
Q109	118
Q110	118

SYMBOL NO.	INDEX NO.
Q111	118
Q112	118
Q113	118

RESISTOR

SYMBOL NO.	INDEX NO.
R101	168
R102	188
R103	176
R104	176
R105	185
R106	176
R107	176
R108	176
R109	176
R110	176

SYMBOL NO.	INDEX NO.
R111	176
R112	176
R113	176
R114	176
R115	176
R116	176
R117	176
R118	176
R119	180
R120	180

RESISTOR

SYMBOL NO.	INDEX NO.
R121	180
R122	180
R123	180
R124	178
R125	178
R126	180
R127	180
R128	180
R129	196
R130	186

SYMBOL NO.	INDEX NO.
R131	176
R132	178
R133	176
R134	176
R135	176
R136	176
R137	194
R138	190
R139	170
R140	168

SYMBOL NO.	INDEX NO.
R141	168
R142	176
R143	176
R144	176
R145	176
R146	176
R147	176
R148	176
R149	176
R150	176

SYMBOL NO.	INDEX NO.
R151	176
R152	176
R153	176
R154	176
R155	176
R156	176
R157	176
R158	175
R159	166
R160	172

SYMBOL NO.	INDEX NO.
R161	173
R162	168
R163	176
R164	180
R165	170
R166	180
R167	169
R168	169
R169	174
R170	180

SYMBOL NO.	INDEX NO.
R171	180
R172	180
R173	176
R174	176
R175	176
R176	176
R177	176
R178	183
R179	165
R180	169

SYMBOL NO.	INDEX NO.
R181	181
R182	176
R183	176
R184	176
R185	176
R186	176
R187	176
R188	176
R189	176
R190	176

24.MPU Board (C237)

RESISTOR

SYMBOL NO.	INDEX NO.	SYMBOL NO.	INDEX NO.	SYMBOL NO.	INDEX NO.	SYMBOL NO.	INDEX NO.	SYMBOL NO.	INDEX NO.	SYMBOL NO.	INDEX NO.	SYMBOL NO.	INDEX NO.
R191	176	R201	176	R211	168	R221	169	R231	176	R241	170	R251	171
R192	176	R202	176	R212	179	R222	197	R232	176	R242	178	R252	171
R193	176	R203	176	R213	185	R223	192	R233	178	R243	178	R253	184
R194	176	R204	180	R214	170	R224	171	R234	187	R244	178	R254	171
R195	176	R205	180	R215	176	R225	171	R235	195	R245	189	R255	171
R196	176	R206	171	R216	176	R226	176	R236	171	R246	191	R256	180
R197	176	R207	180	----	---	R227	176	R237	171	R247	199	R257	180
----	---	R208	177	----	---	R228	176	R238	171	R248	195	R258	180
R199	176	R209	177	R219	195	R229	178	R239	171	R249	171	R259	180
R200	176	R210	182	R220	184	R230	178	R240	167	R250	169	R260	180

RESISTOR

SYMBOL NO.	INDEX NO.	SYMBOL NO.	INDEX NO.	SYMBOL NO.	INDEX NO.	SYMBOL NO.	INDEX NO.
R261	180	R271	184	R281	180	R291	180
R262	180	R272	180	R282	180	R292	176
R263	180	R273	180	R283	180	R293	176
R264	180	R274	184	R284	180	R294	191
R265	180	R275	180	R285	180	R295	179
R266	180	R276	176	R286	180	R296	191
R267	180	R277	198	R287	176	R297	179
R268	179	R278	193	R288	180	R298	191
R269	184	R279	180	R289	176	R299	179
R270	180	R280	180	R290	180	R300	179

RELAY

SYMBOL NO.	INDEX NO.	SYMBOL NO.	INDEX NO.		
R301	179	RAY101	151	RAY111	153
R302	178	RAY102	151	RAY112	153
R303	179	RAY103	153	RAY113	151
		RAY104	153	RAY114	151
		RAY105	152	RAY115	153
		RAY106	152	RAY116	151
		RAY107	152	RAY117	151
		RAY108	151	RAY118	151
		RAY109	153	RAY119	151
		RAY110	151	RAY120	151

24.MPU Board (C237)

RELAY

SYMBOL NO.	INDEX NO.
RAY121	151
RAY122	151
RAY123	151
RAY124	151
RAY125	151

TEST POINT

SYMBOL NO.	INDEX NO.
TP105	101
TP106	101
TP110	101

VR

SYMBOL NO.	INDEX NO.
VR101	154
VR103	155

24.MPU Board (C237)

Index No.	Part No.	Description	Q'ty Per Assembly
*	C237 5100	MPU Board	1
*	C237 5150	MPU Board - ASIA	1
1	C237 5105	Main ROM	1
1	C237 5155	Main ROM - ASIA	1
3	1905 0009	UVEPROM - 1M - X8 - 150NS	1
4	C237 5107	Feed ROM	1
6	1905 0006	UVEPROM - 512K - X8 - 150NS	1
8	A193 5521	IC - IBC2	1
9	C226 8009	Oscilator - HC-49/U-S 13.1Mhz	1
10	C228 8030	IC - THERMAL HEAD DRIVE	1
11	C229 5351	IC - UPD65640GF	1
12	C229 5352	IC - HD6433292A53F	1
14	C237 5140	IC - LC27273B-TD9	1
15	C237 8008	IC - LC98300BT-SB4	1
16	C237 5177	RAM - 16K	



Index No.	Part No.	Description	Q'ty Per Assembly
101	1101 0328	Connector Pin Contact	
102	1102 4210	Connector - 11P	
103	1102 4212	CT Header - 15P	
104	1102 4820	CT Header - 24P	
105	1102 4821	Connector - 26P	
106	1102 4822	Connector - 28P	
107	1102 5301	Connector - 2P	
108	1102 5305	Connector - 6P	
109	1102 6596	Connector	
110	1102 7031	Connector - SLEM11S-2	
111	1102 7455	Connector FX6-60S-0.8SV2	
112	1104 0378	IC Socket - 24p - DICF-24CS-E	
113	1104 0473	32p - IC Socket	
114	1104 0564	Fuse Socket	
115	1104 0588	Dip Socket - 28p	
116	1107 0719	Fuse - K19374/1a	
117	1400 0555	Transistor - DTC143EK	
118	1400 0688	Transistor - DTC143ZUA	
119	1401 1051	Transistor - 2SJ374	
120	1402 0804	Silicon Diode - 45V - 0.3A	
121	1402 1336	Diode - 1SS355	
122	1402 1372	Silicon Diode - 1SR139-400	
123	1403 0829	Diode - SEC1201C	
124	1407 2231	IC - TD62308AF	
125	1407 3281	IC - TC74HCU04AF	
126	1407 4315	IC - TE7751	
127	1407 4321	IC - TC74VHC04F	
128	1407 4462	IC - UPD78217AGC-AB8	
129	1407 4715	IC - 74VHC138 SOP	
130	1407 4718	IC - TC74VHC08F	
131	1407 4889	IC - 74VHC373 SOP	
132	1407 4913	IC - 74VHCT244 SOP	
133	1407 5084	CMOS IC - LOGIC 74VHC11F SOP	
134	1407 5331	IC - TC7MB3245FK	
135	1408 0286	NE555P	


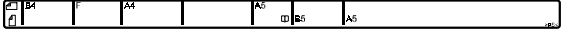
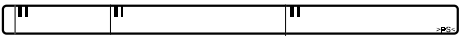
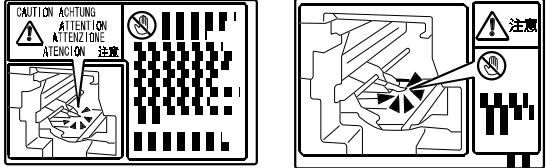
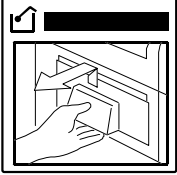
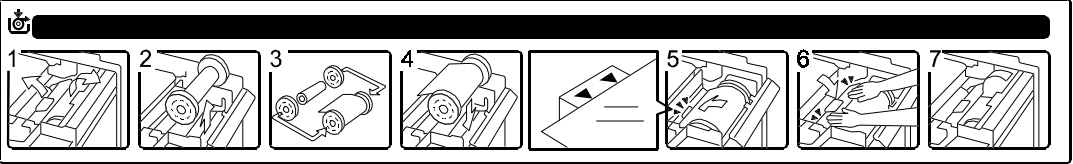
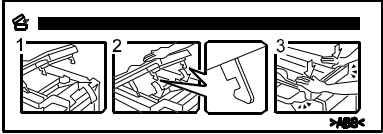
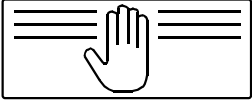
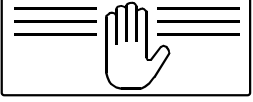
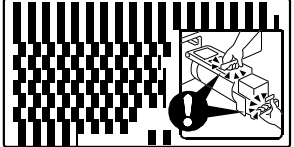


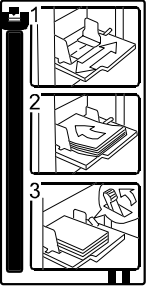

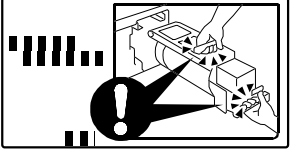
Index No.	Part No.	Description	Q'ty Per Assembly
136	1408 0595	IC - NJM2904M	
137	1408 0611	IC - 3771	
138	1408 0826	IC - TA8428K	
139	1408 0827	IC - TA8429H	
140	1408 0914	IC UPC79N05H	
141	1408 1134	Operational Amplifier - AD817AN	
142	1408 1295	IC - UPC2933T	
143	1408 1337	Series Regulator - TA78M18S	
144	1408 1394	IC - STK672-110	
145	1408 1410	IC - STK672-120	
146	1408 1466	Series Regulator - TA78M05S	
147	1502 0052	Buzzer - MEB-12c-5	
148	1503 0701	Ceramic Oscillator - 11.059MHZ	
149	1503 0727	Crystal Oscillator - CX-5F 20MHZ	
150	1503 0849	Crystal Oscilator - 14.7456Mhz	
151	1601 7780	Resistor	
152	1601 7791	Resistor Array - 1K Ω \pm 5%	
153	1601 7867	Resistor - 33 Ω \pm 5% 1/16W	
154	1601 8148	Variable Resistor - 20K Ω 0.5W	
155	1601 8186	Variable Resistor - 200K Ω	
156	1604 1309	Capacitor - 1 μ F16V	
157	1605 0237	Capacitor - 0.033 μ F25V	
158	1605 0599	Capacitor - 0.1 μ F \pm 10%	
159	1605 0744	Capacitor - EMK212F105Z	
160	1605 0780	Capacitor - 0.022 μ F \pm 5% 25V	
161	1606 0995	Capacitor - 10pF 50V	
162	1606 1915	Capacitor - 0.0022UF	
163	1607 0477	Coil - BLM21A121SPB	
164	1607 0867	Inducter - BK2125HM601	
165	1630 1101	Resistor - 100 Ω 1/4W \pm 5%	
166	1630 1201	Resistor - 200 Ω \pm 5%1/4W	
167	1630 3101	Resistor - 100 Ω - 1/10W	
168	1630 3102	Resistor - 1K Ω 1/10W \pm 5%	
169	1630 3103	Resistor - 10K Ω 1/10W \pm 5%	
170	1630 3105	Resistor - 1M Ω \pm 5% 1/10W	

Index No.	Part No.	Description	Q'ty Per Assembly
171	1630 3151	Resistor - 150 Ω \pm 5% 1/10W	
172	1630 3163	Resistor - 16K Ω \pm 5% 1/10W	
173	1630 3202	Resistor - 2K Ω -1/10W	
174	1630 3244	Resistor - 240K Ω \pm 5% 1/10W	
175	1630 3303	Resistor - 30K Ω \pm 5% 1/10W	
176	1630 3330	Resistor - 33 Ω \pm 5% 1/10W	
177	1630 3332	Resistor - 3.3K Ω 1/10W \pm 5%	
178	1630 3471	Resistor - 470 Ω - 1/10W	
179	1630 3472	Resistor - 4.7K Ω 1/10W \pm 5%	
180	1630 3473	Resistor - 47K Ω 1/10W \pm 5%	
181	1630 3514	Resistor - 510K Ω \pm 5% 1/10W	
182	1630 3683	Resistor - 68K Ω \pm 5% 1/10W	
183	1630 3824	Resistor - 820K Ω \pm 5% 1/10W	
184	1633 0000	Resistor - 0 Ω 1/10W	
185	1633 1001	Resistor - 1K Ω \pm 1% 1/10W	
186	1633 1182	Resistor - 11.8K Ω \pm 1% 1/10W	
187	1633 1201	Resistor - 1.2K Ω \pm 1% 1/10W	
188	1633 1241	Resistor - 1.24k Ω - \pm 1%	
189	1633 1501	Resistor - 1.5k Ω \pm 1% 1/10w	
190	1633 2152	Resistor - 21.5K Ω \pm 1% 1/10W	
191	1633 3002	Resistor - 30k Ω \pm 1% 1/10W	
192	1633 4421	Resistor - 4.42K Ω \pm 1% 1/10W	
193	1633 3901	Resistor - 3.9 Ω \pm 1% 1/10W	
194	1633 4702	Resistor - 47K Ω \pm 1/10W	
195	1633 5101	Resistor - 5.1K Ω \pm 1% 1/10W	
196	1633 6341	Resistor - 6.34K Ω \pm 1% 1/10W	
197	1633 8200	Resistor - 820 Ω \pm 1% 1/10W	
198	1633 9101	Resistor - 9.1K Ω 1/10W	
199	1633 9530	Resistor - 953 Ω \pm 1% 1/10W	
200	1640 1101	Capacitor - 100 μ F- \pm 20% 16V	
201	1640 2470	Capacitor - 47 μ F \pm 20% 25V	
202	1640 3101	Capacitor - 100 μ F \pm 20% 35V	
203	1640 5100	Capacitor - 10 μ F+20% 50	
204	1660 2150	Capacitor - 15pF \pm 5% 50V	
205	1660 2151	Capacitor - 150pF \pm 20% 35V	

Index No.	Part No.	Description	Q'ty Per Assembly
206	1660 2220	Capacitor - 22pF \pm 20% 35V	
207	1660 2270	Capacitor - 27pF \pm 20% 35V	
208	1660 2331	Capacitor - 330pF \pm 5% 50V	
209	1660 2471	Capacitor - 470pF - \pm 5% - 50V	
210	1660 3101	Capacitor - 100pF 50V	
211	1660 5103	Capacitor - 10000pF \pm 10% 50V	
212	1902 0040	SRAM 256K X8 70NS G9	
213	1903 0001	IC - DRAM 16M 4MX4 60NS G1	
214	1904 0013	SRAM - 256K X8 20NS G2	
215	1104 0589	Dip Socket - 32p	
216	1104 0761	IC Socket - 24p	
217	1606 0807	Capacitor - 0.1 μ F+80% -20% 50V	

Index No.	Part No.	Description	Q'ty Per Assembly

25.Decal And Document (C237)

<p>1</p> 	<p>2</p>  <p>3</p> 	<p>4</p> 		
<p>5</p> 	<p>6</p> 			
<p>7</p> 	<p>8</p> 	<p>9</p> 	<p>10</p> 	
<p>11</p> 	<p>12</p> 	<p>13</p> 	<p>14</p> 	

25. Decal And Document (C237)

<p>15</p>	<p>16</p>
<p>17</p>	<p>18</p>
<p>20</p>	<p>19</p>
<p>21</p>	

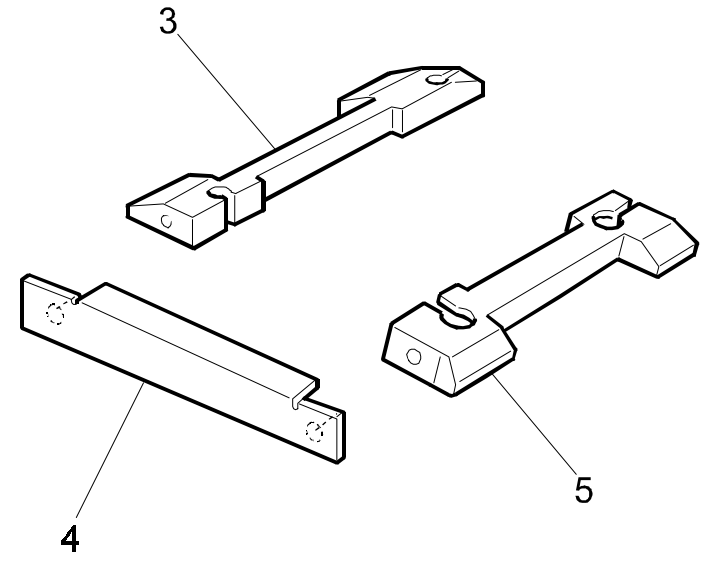
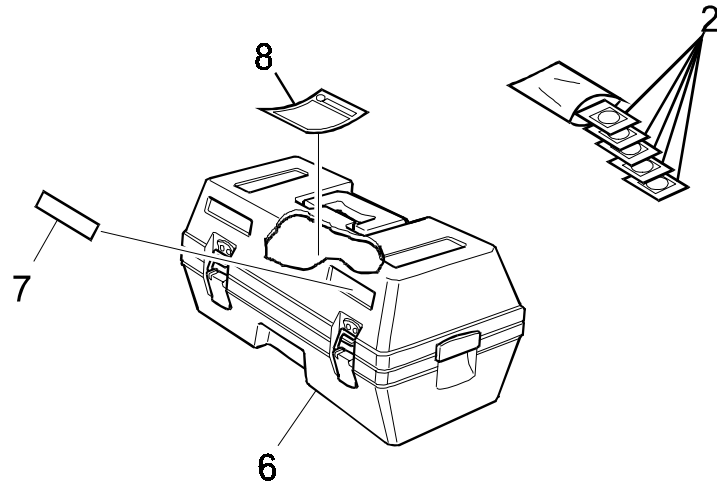
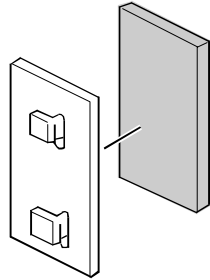
25.Decal And Document (C237)

Index No.	Part No.	Description	Q'ty Per Assembly
1	C217 2529	Decal - Ink Supply	1
2	C226 3305	Decal - Front Original Set	1
3	C226 3306	Decal - Rear Original Set	1
4	C231 1302	Decal - Paper Exit Pawl	1
4	C231 1312	Decal - Paper Exit Pawl	1
5	C231 3521	Decal Eject Box	1
6	C231 5660	Decal - Master Set	1
7	C237 1303	Decal - Scanner Open	1
8	C231 1971	Left Decal - Plotter Cover	1
9	C231 1972	Right Decal - Plotter Cover	1
10	C231 2519	Decal - Drum Replace	1
11	C237 2937	Decal - Paper Feed Pressure	1
12	C231 2995	Decal - Side Fence	1
13	C231 2996	Decal - Paper Set	1
14	C231 2997	Decal - Paper Level	1
15	C231 2998	Decal - Paper Size	1
16	C237 8607	Operating Instructions - English (NA)	1
16	C237 8608	Operating Instructions - English (ASIA)	1
16	C237 8688	Operating Instructions - English (GES ASIA)	1
16	C237 8690	Operating Instructions - English (NRG EU)	1
16	C237 8697	Operating Instructions - English (GES/SVN NA)	1
16	C237 8698	Operating Instructions - English (STD)	1
17	C237 1301	Ink Supply Sheet	1
18	C229 1354	Decal Paper Feed	1
18	C229 1359	Caution Decal	1
19	A153 6409	Decal - Keytop Cover (GES)	1
19	C225 2866	Decal - Keytop Cover (REX)	1
19	C225 2867	Decal - Keytop Cover (NSA)	1
20	C231 2570	Decal - Ink Release Lever	1
21	C231 2571	Decal - Ink Set Lever	1

Index No.	Part No.	Description	Q'ty Per Assembly

26. Accessories And Special Tools (C237)

1



26. Accessories And Special Tools (C237)

Index No.	Part No.	Description	Q'ty Per Assembly
1	C237 2773	Side Fence Pad	2
2	C526 2251	Drum Decal - Red	1
2	C526 2252	Drum Decal - Blue	1
2	C526 2253	Drum Decal - Green	1
2	C526 2254	Drum Decal - Brown	1
2	C526 2259	Drum Decal - Blank	1
3	A682 6167	Rear Stand	1
4	A682 6170	Stand Fixing Plate	1
5	A682 6166	Front Stand	1
6	C583 1000	Optioin Drum Case Ass'y	1
7	C583 1265	Decal - Drum Modeol LG	1
7	C584 1265	Decal - Drum Modeol B4	1
7	C585 1265	Decal - Drum Modeol A4	1
8	C583 1255	Decal - Drum Position	1

Index No.	Part No.	Description	Q'ty Per Assembly



Parts Index

PM Parts Index

Section Name	Part No.	Description in Service Manual	Description in Parts Catalog	Q'ty Per Assembly	Page and Index No.
Paper Resistration (C237)	C231 2836	Insulating Sheet:scanner Unit	Paper Feed Roller	2	23- 12
Plotter Unit 1 (C237)	C237 2105	Platen Roller - A4	Platen Roller - A4	1	25- 17
	C237 2104	Platen Roller - B4	Platen Roller - B4	1	25- 17
Press Roller Section (C237)	C237 3052	Pressure Roller Ass'y - A4	Pressure Roller Ass'y - A4	1	29- 14
	C237 3050	Pressure Roller Ass'y - B4	Pressure Roller Ass'y - B4	1	29- 14
Drum Unit 2 (C237)	C231 2305	Cloth Screen - A4	Cloth Screen - A4	1	33- 16
	C231 2304	Cloth Screen - LG	Cloth Screen - LG	1	33- 16
	C231 2303	Cloth Screen - B4	Cloth Screen - B4	1	33- 16
Vacuume Fan Unit (C237)	C231 3878	Transport Belt	Transport Belt	2	37- 3

Parts Index

Part No.	Description	Page and Index No.
C237 1063	Front Right Guide	47- 24
C237 1169	Drum Drive Gear Unit (CHINESE)	43- 10
C237 1202	Right Cover Ass'y	7- 13
C237 1210	Front Cover Ass'y (JP1230)(ASIA)	7- 15
C237 1212	Front Cover Ass'y (JP1210)	7- 15
C237 1213	Front Cover Ass'y (JP1250)	7- 15
C237 1216	Front Cover Ass'y (GES/SVN)	7- 15
C237 1217	Front Cover Ass'y (NRG)	7- 15
C237 1218	Front Cover Ass'y (5308b)(B4)	7- 15
C237 1222	Front Cover Ass'y (5308L)(LG)	7- 15
C237 1223	Front Cover Ass'y (JP1250)(CHINESE)	7- 15
C237 1224	Front Cover Ass'y (5300)(B4)	7- 15
C237 1225	Front Cover Ass'y (STD)	7- 15
C237 1254	Lower Cover - Operation Panel	7- 1
C237 1256	Front Door Ass'y (JP1230)	7- 5
C237 1265	Front Door Ass'y (JP1210)	7- 5
C237 1268	Front Door Ass'y (JP1250)	7- 5
C237 1301	Ink Supply Sheet	7- 19
C237 1301	Ink Supply Sheet	61- 17
C237 1303	Decal - Scanner Open	7- 2
C237 1303	Decal - Scanner Open	61- 7
C237 1321	Model Name Plate - 5308L	7- 16
C237 1324	Model Name Plate - 5308	7- 16
C237 1325	Model Name Plate - 1225	7- 16
C237 1326	Model Name Plate - CP308	7- 16
C237 1327	Model Name Plate - 5308b	7- 16
C237 1333	Model Name Plate - 5300 (CHINESE)	7- 16
C237 1345	Model Name Plate - SD330	7- 16
C237 1350	Connector Cap	7- 10
C237 1355	Connector Bracket	45- 12
C237 1356	LED Bracket	45- 2
C237 1358	Left Upper Bracket	45- 27
C237 1359	LED Cover Bracket	45- 3
C237 1360	Rear Cover	7- 12
C237 1363	Connector Cap	7- 21

Part No.	Description	Page and Index No.
C237 1366	Upper Bracket - Rear Cover	45- 6
C237 1388	Operation Panel Bracket	47- 11
C237 1389	Safety Switch Bracket	7- 7
C237 1397	Right Lower Bracket	47- 9
C237 1399	Magnet Catch Bracket Ass'y	7- 14
C237 1442	Micro Switch - V-152-3A5(10E)	49- 14
C237 1442	Micro Switch - V-152-3A5(10E)	47- 22
C237 1451	Operation Panel Ass'y (NA)	9- 1
C237 1452	Operation Panel Ass'y (EU)	9- 1
C237 1454	Operation Panel Ass'y (CHINESE)	9- 1
C237 1455	Operation Panel Ass'y - ZOOM (CHINESE)	9- 1
C237 1491	Key Sheet - Behind (NA)	9- 3
C237 1492	Key Sheet - Center (NA)	9- 5
C237 1493	Contenance Shield (NA)	9- 6
C237 1496	Key Sheet - Behind (EU)	9- 3
C237 1498	Contenance Shield (EU)	9- 6
C237 1503	Contenance Shield (CHINESE)	9- 6
C237 1650	Stopper Bracket	29- 27
C237 1655	Upper Bracket	17- 2
C237 1656	Gas Spring	17- 1
C237 1661	Insulating Sheet - Scanner Unit	17- 35
C237 1711	Front Bracket	15- 1
C237 1995	Plotter Inner Stay	29- 37
C237 1996	Front Stay	29- 9
C237 2010	Plotter Rear Plate	27- 21
C237 2020	Plotter Front Plate	27- 27
C237 2063	Brake Lever	27- 6
C237 2076	Brake Roller	27- 5
C237 2082	Lower Guide Plate Ass'y	27- 2
C237 2104	Platen Roller - B4	25- 17
C237 2105	Platen Roller - A4	25- 17
C237 2112	Tension Roller - B4	25- 6
C237 2113	Tension Roller - A4	25- 6
C237 2210	Rear Master Holder - B4	25- 26
C237 2211	Rear Master Holder - A4/LG	25- 26

Part No.	Description	Page and Index No.
C237 2281	Antistatic Brush Ass'y	25- 1
C237 2283	Antistatic Brush	27- 3
C237 2300	Drum Unit (B4)	31- 1
C237 2301	Drum Unit (LG)	31- 1
C237 2302	Drum Unit (A4)	31- 1
C237 2303	Drum Unit (CHINESE)	31- 1
C237 2401	Drum Clamper Ass'y	33- 1
C237 2535	Arm Pin	31- 13
C237 2551	Ink Holder Slyder	31- 4
C237 2554	Right Rail - Ink Holder	31- 8
C237 2561	Slider Guide Left	31- 3
C237 2611	Connector Bracket	47- 20
C237 2763	Sensor Sheet	21- 22
C237 2764	Lower Registration Roller Ass'y	21- 13
C237 2773	Side Fence Pad	63- 1
C237 2790	Front Paper Table Rack	19- 6
C237 2807	Upper Registration Roller	21- 1
C237 2820	Feed Roller Position Feeler	23- 14
C237 2841	Reverse Roller Shaft	23- 19
C237 2843	Bushing	43- 39
C237 2844	Bushing - 8mm	23- 30
C237 2881	Guide Plate	21- 7
C237 2898	Separation Spring	21- 27
C237 2937	Decal - Paper Feed Pressure	61- 11
C237 2937	Decal - Paper Feed Pressure	23- 23
C237 3050	Pressure Roller Ass'y - B4	29- 14
C237 3052	Pressure Roller Ass'y - A4	29- 14
C237 3113	Right Arm	29- 17
C237 3117	Pressure Roller Stopper	29- 18
C237 3465	Unit Base	41- 20
C237 3474	Air Knife Bracket	41- 26
C237 3476	Unit Stay	41- 10
C237 3481	Upper Eject Roller	41- 18
C237 3491	Timing Belt - S2M 76Z	41- 32
C237 3501	Pressure Plate	41- 14

Part No.	Description	Page and Index No.
C237 3504	Pressure Plate Shaft	41- 13
C237 3505	Pin 3x16	41- 47
C237 3506	Guide Plate	41- 7
C237 3510	Master Eject Box	41- 4
C237 3521	Front Holder	41- 15
C237 3522	Pressure Plate	41- 9
C237 3524	Pressure Spring	41- 17
C237 3525	Spring	41- 16
C237 3531	Rear Slide Rail - Master Eject	51- 11
C237 3532	Front Slide Rail - Master Eject	51- 10
C237 3535	Connector Bracket - Master Eject	51- 13
C237 3571	Master Pick-off Pawl	41- 36
C237 3573	Spring	41- 46
C237 3575	Master Pick-off Pawl Shaft	41- 45
C237 3576	Separation Plate Cushion	41- 22
C237 3684	Gear - Pressure Plate	41- 44
C237 3800	Paper Delivery Unit	37- *
C237 3803	Paper Delivery Unit - Chinese	37- *
C237 3885	Long Antistatic Brush	51- 2
C237 3886	Short Antistatic Brush	51- 1
C237 3888	Antistatic Brush	51- 9
C237 3890	Seal - Paper Delivery Unit (CHINESE)	37- 12
C237 4055	Clamp Rack	45- 10
C237 4060	Master Feed Clamp Lever	45- 4
C237 4206	Paper Exit Pump	43- 38
C237 4349	Spring - Exit Pawl Shaft	29- 36
C237 4351	Air Pump Bracket	43- 37
C237 4365	Exit Pawl	29- 2
C237 4367	Hose	43- 35
C237 4373	Pump Driven Gear	43- 36
C237 4479	Pickoff Pawl Bushing	29- 31
C237 5004	Scanner Motor	17- 11
C237 5100	MPU Board	59- *
C237 5100	MPU Board	45- 7
C237 5101	Main Motor Control Board	45- 17

Part No.	Description	Page and Index No.
C237 5105	Main ROM	45- 9
C237 5105	Main ROM	59- 1
C237 5107	Feed ROM	59- 4
C237 5107	Feed ROM	45- 31
C237 5124	Noize Filter Board (CHINESE)	45- 21
C237 5125	Operation Panel Board	9- 29
C237 5140	IC - LC27273B-TD9	59- 14
C237 5150	MPU Board - ASIA	59- *
C237 5150	MPU Board - ASIA	45- 7
C237 5155	Main ROM - ASIA	59- 1
C237 5155	Main ROM - ASIA	45- 9
C237 5177	RAM - 16K	59- 16
C237 5180	Lamp Stabilizer	17- 33
C237 5200	DC Main Harness	45- 11
C237 5216	Harness - ADF Motor	15- 28
C237 5225	Operation Panel Harness	9- 10
C237 5228	Harness - ADF	15- 12
C237 5280	Eject Unit Harness	41- 41
C237 5300	Power Supply Unit	47- 16
C237 5461	Master Counter	47- 19
C237 5462	Copy Counter	47- 14
C237 5606	MPU Cover	45- 29
C237 5650	Switch Bracket	47- 2
C237 5685	Door Switch Bracket	47- 8
C237 5690	Push Switch Bracket	47- 26
C237 5830	Master Eject Motor - DC24V/7.2W	43- 24
C237 5876	Registration Motor Ass'y	47- 12
C237 5879	Paper Feed Magnetic Clutch	23- 29
C237 5880	Air Knife Fan	41- 24
C237 5880	Air Knife Fan	37- 11
C237 6005	Front Bracket	49- 1
C237 6011	Front Harness Cover	45- 30
C237 6661	Clamper Sleeve	43- 26
C237 8008	IC - LC98300BT-SB4	59- 15
C237 8607	Operating Instructions - English (NA)	61- 16

Part No.	Description	Page and Index No.
C237 8608	Operating Instructions - English (ASIA)	61- 16
C237 8688	Operating Instructions - English (GES ASIA)	61- 16
C237 8690	Operating Instructions - English (NRG EU)	61- 16
C237 8697	Operating Instructions - English	61- 16
C237 8698	Operating Instructions - English (STD)	61- 16

Part No.	Description	Page and Index No.
AG07 0004	Magnetic Catch	25- 25
AG07 0004	Magnetic Catch	47- 7
AW01 0076	Photosensor - PS-117D1	19- 16
AW01 0076	Photosensor - PS-117D1	37- 14
AW02 0021	Photointerruptor - 175487-3	15- 19
AW02 0075	Photointerruptor	19- 13
AW02 0075	Photointerruptor	23- 25
AW02 0075	Photointerruptor	27- 25
AW02 0075	Photointerruptor	29- 38
AW02 0075	Photointerruptor	41- 35
AW02 0075	Photointerruptor	43- 22
AW50 0012	Push Switch	41- 21
C200 2266	Bearing Holder	21- 15
C200 2331	Gear - 20T	43- 20
C200 2332	Gear - 16T	43- 25
C200 3604	Coupled Gear - 16T & 50T	43- 21
C200 4723	Adjusting Plate - Doctor Roller	35- 26
C200 4748	Gear - 45T	35- 25
C200 4814	Bushing - 6x10x55mm	35- 5
C201 4604	Drum Rail Roller	31- 24
C201 4665	Bearing Holder	35- 40
C201 5015	Seal - M10	19- 19
C201 5051	Pinion - 24t	21- 17
C201 5125	Stepped Screw - M6	31- 29
C201 5125	Stepped Screw - M6	33- 26
C201 5125	Stepped Screw - M6	43- 3
C201 5134	Bearing Holder	43- 11
C203 5135	Bushing - 10x14x5.9	21- 18
C203 8137	Master Sensor	41- 25
C205 3150	Seal - Large	51- 14
C207 4672	Gear - 36Z	35- 39
C209 3133	Retaining Ring - M6	23- 27
C209 4711	Hose Band	43- 34
C209 6168	End Fence Washer	19- 31
C209 6213	Piston Pin - Air Pump	43- 30

Part No.	Description	Page and Index No.
C209 8288	Table Down Switch	47- 27
C213 6037	Air Piston Ass'y	43- 27
C213 6038	Piston Link	43- 28
C213 6040	Piston	43- 29
C213 6041	Oring - 33.7	43- 32
C213 6042	Piston Valve	43- 31
C213 6043	Air Pamp Cylinder	43- 33
C217 2210	Main Motor Pulley	43- 15
C217 2221	Tension Roller	43- 19
C217 2455	Key Counter Cover	47- 28
C217 2529	Decal - Ink Supply	61- 1
C217 4418	Cover Cap	45- 5
C217 4426	Shoulder Screw	45- 14
C217 4426	Shoulder Screw	43- 5
C217 4426	Shoulder Screw	39- 20
C217 4504	Clamper Cam	33- 19
C217 4506	Grounding Plate	35- 36
C217 4512	Side Plate	35- 20
C217 4513	Rear Side Plate	35- 42
C217 4549	Rear Clamper Spring	33- 6
C217 4555	Eject Pawl Spring	33- 25
C217 4580	Gear - Doctor Roller Drive	35- 38
C217 4581	Ink Roller Drive Gear	33- 16
C217 4598	Front Drum Blade	35- 27
C217 4599	Rear Drum Blade	35- 28
C217 5077	Feed Drive Pulley	43- 9
C217 5102	Spring Washer	25- 12
C217 5520	Pressure Release Lever	29- 22
C217 5521	Front Lever Arm	29- 34
C217 5522	Rear Lever Arm	29- 41
C217 5523	Pressure Release Lever - Front	29- 15
C217 8446	Photointerruptor - Master Eject	41- 12
C218 2071	Safety Swtich Stopper - LT	49- 6
C218 2173	Support Plate - Safety Switch - LT	47- 5
C218 2173	Support Plate - Safety Switch - LT	49- 8

Part No.	Description	Page and Index No.
C218 2185	Stepper Screw	47- 4
C218 2185	Stepper Screw	49- 7
C218 4558	Front Doctor Roller Ring	35- 15
C218 4559	Rear Doctor Roller Ring	35- 18
C218 4560	Ring Spring	35- 16
C218 4592	Front Bank Plate	35- 17
C218 4594	Rear Bank Plate	35- 19
C219 3950	Stepped Screw	47- 1
C224 2172	Safety Switch Lever	47- 6
C225 2866	Decal - Keytop Cover (REX)	7- 18
C225 2866	Decal - Keytop Cover (REX)	61- 19
C225 2867	Decal - Keytop Cover (NSA)	61- 19
C225 2867	Decal - Keytop Cover (NSA)	7- 18
C225 6013	Idle Gear	35- 3
C225 6113	Upper Pressure Spring Pin	39- 16
C226 2172	Safety Switch Lever	49- 13
C226 2740	Emblem	7- 6
C226 3018	Lock Lever Ass'y	15- 23
C226 3026	Rear Lever Lock Pin	15- 22
C226 3301	Original Scale	9- 12
C226 3302	Both Adhesive Tape	9- 4
C226 3305	Decal - Front Original Set	61- 2
C226 3305	Decal - Front Original Set	9- 18
C226 3306	Decal - Rear Original Set	61- 3
C226 3306	Decal - Rear Original Set	9- 28
C226 3308	Platen Cover Spacer	9- 30
C226 3309	Cover Bracket	15- 2
C226 3311	Cover Spacer - Original Tray	15- 17
C226 3320	Contact Image Sensor - B4	17- 27
C226 3331	Edging - Long	17- 19
C226 3332	Edging - Small	17- 9
C226 3335	ADF Cover	9- 17
C226 3336	Connector Cover	9- 14
C226 3340	Xenon Lamp Harness	17- 10
C226 8009	Oscillator - HC-49/U-S 13.1Mhz	59- 9

Part No.	Description	Page and Index No.
C226 8010	Ferrite Core - FPC-25-12	49- 4
C228 8030	IC - THERMAL HEAD DRIVE	59- 10
C229 1354	Decal - Paper Feed	7- 22
C229 1354	Decal Paper Feed	61- 18
C229 1359	Caution Decal	61- 18
C229 2390	Stepped Screw	31- 26
C229 2391	Stopper Bracket	31- 28
C229 2392	Stopper Guide	31- 27
C229 2394	Spring Plate	31- 33
C229 2396	Spring Plate	31- 25
C229 2525	Bushing - Pump Drive Gear	35- 35
C229 2529	Ink Supply Motor	35- 7
C229 2615	Slide Rail Roller	29- 6
C229 2840	Pad	19- 20
C229 5351	IC - UPD65640GF	59- 11
C229 5352	IC - HD6433292A53F	59- 12
C229 5803	DC Motor - 50W	35- 29
C229 5803	DC Motor - 50W	41- 37
C229 5814	DC Motor - 24V	43- 1
C229 5825	Master Sensor	27- 15
C231 1057	Rubber Foot	51- 17
C231 1061	Grip	45- 16
C231 1061	Grip	51- 18
C231 1064	Left Rear Guide - Grip	45- 24
C231 1065	Right Rear Guide - Grip	45- 18
C231 1067	Front Guide Bracket	51- 19
C231 1068	Rear Guide Bracket	45- 15
C231 1150	Main Motor Bracket	43- 16
C231 1154	Drive Support Plate	43- 14
C231 1156	Adjust Tightner	43- 18
C231 1160	Drum Drive Gear Unit	43- 10
C231 1172	Drum Drive Side Plate	43- 7
C231 1173	Gear Stopper	43- 4
C231 1174	Gear Spring	43- 6
C231 1175	Adjust Stopper	43- 13

Part No.	Description	Page and Index No.
C231 1180	Timing Belt - 130S3M588UG	43- 8
C231 1251	Front Cover (NA)	7- 9
C231 1258	Rear Upper Cover	7- 11
C231 1261	Front Cover	7- 9
C231 1271	Front Cover (CHINESE)	7- 9
C231 1274	Front Door Ass'y (OEM)	7- 5
C231 1302	Decal - Paper Exit Pawl	7- 20
C231 1302	Decal - Paper Exit Pawl	61- 4
C231 1312	Decal - Paper Exit Pawl	61- 4
C231 1340	Left Scanner Cover	7- 3
C231 1362	Rear Cover (CHINESE)	7- 12
C231 1364	Right Bracket - Rear Cover	45- 1
C231 1365	Lower Bracket - Rear Cover	45- 19
C231 1370	Power Supply Cord Cover	45- 22
C231 1375	Power Supply Cord Bracket	45- 23
C231 1387	Magnet Film	7- 17
C231 1390	Upper Hinge	7- 4
C231 1391	Lower Hinge	7- 8
C231 1396	Right Upper Bracket	47- 25
C231 1398	Left Lower Bracket	47- 18
C231 1490	Cover - Behind	9- 2
C231 1494	Key Sheet - Start (NA)	9- 7
C231 1495	Key Sheet - Stop (NA)	9- 8
C231 1497	Key Sheet - Center (EU)	9- 5
C231 1499	Key Sheet - Start (EU)	9- 7
C231 1500	Key Sheet - Stop (EU)	9- 8
C231 1501	Key Sheet - Behind (CHINESE)	9- 3
C231 1504	Key Sheet - Start (CHINESE)	9- 7
C231 1505	Key Sheet - Stop (CHINESE)	9- 8
C231 1506	Key Sheet - Center (CHINESE)	9- 5
C231 1652	Rear Lock Lever Bracket	15- 21
C231 1661	Insulating Sheet - Right	15- 34
C231 1662	Insulating Sheet - Middle	15- 33
C231 1663	Insulating Sheet - Left	15- 32
C231 1950	Joint Pin	25- 21

Part No.	Description	Page and Index No.
C231 1955	Joint Stay	25- 20
C231 1956	Plotter Base Cover	25- 30
C231 1961	Front Spring	25- 5
C231 1962	Rear Spring	25- 7
C231 1971	Left Decal - Plotter Cover	61- 8
C231 1971	Left Decal - Plotter Cover	25- 23
C231 1972	Right Decal - Plotter Cover	61- 9
C231 1972	Right Decal - Plotter Cover	25- 24
C231 1991	Right Plotter Stay	23- 20
C231 2025	Plotter Bottom Plate	27- 26
C231 2026	Thermal Head Base	27- 14
C231 2030	Rear Release Plate	25- 8
C231 2036	Plotter Release Lever	25- 15
C231 2037	Release Lever Knob	25- 16
C231 2039	Lock Lever Spring	25- 14
C231 2040	Front Release Plate	25- 4
C231 2044	Plotter Cover Ass'y	25- 2
C231 2046	Tension Roller Guide	25- 3
C231 2052	Master Position Plate	27- 8
C231 2054	Position Spring	27- 10
C231 2055	Master Edge Position Bracket	27- 9
C231 2065	Brake Roller Spring	27- 7
C231 2085	Upper Guide Plate	27- 1
C231 2092	Thermal Head Guide	27- 17
C231 2094	Guide Sheet	27- 28
C231 2095	Master Guide Plate	27- 18
C231 2106	Ball Bearing - 6x13.5	25- 13
C231 2108	Lower Platen Cover	25- 18
C231 2133	Platen Gear - 1	27- 23
C231 2135	Platen Gear - 2	27- 22
C231 2146	Platen Roller Gear	25- 11
C231 2147	Idler Gear	25- 10
C231 2148	Tension Roller Gear	25- 9
C231 2151	Thermal Head - B4	27- 11
C231 2156	Middle Spring	27- 13

Part No.	Description	Page and Index No.
C231 2157	Side Spring	27- 12
C231 2220	Front Master Holder - B4	25- 27
C231 2221	Front Master Holder - A4/LG	25- 27
C231 2230	Brake Shoe	27- 20
C231 2234	Brake Pad	27- 4
C231 2271	Cutter Unit	25- 19
C231 2273	Sensor Bracket	27- 24
C231 2275	Connector Bracket	25- 22
C231 2277	Master Sensor Bracket	27- 16
C231 2303	Cloth Screen - B4	31- 38
C231 2304	Cloth Screen - LG	31- 38
C231 2305	Cloth Screen - A4	31- 38
C231 2360	Left Drum Flange (B4)	33- 8
C231 2362	Right Drum Flange (B4)	33- 10
C231 2364	Left Drum Flange (A4)	33- 8
C231 2366	Right Drum Flange (A4)	33- 10
C231 2368	Shielding Plate	33- 15
C231 2369	Drum Drive Gear	33- 11
C231 2370	Spacer	33- 9
C231 2383	Sensor Sheet	31- 41
C231 2384	Seal	31- 20
C231 2388	Front Holder - B4	31- 39
C231 2389	Rear Holder - B4	31- 40
C231 2390	Front Holder - A4	31- 39
C231 2391	Rear Holder - A4	31- 40
C231 2395	Holder	33- 13
C231 2396	Stopper	33- 12
C231 2397	Left Collar	35- 23
C231 2398	Spacer	35- 22
C231 2402	Clamper Base	33- 3
C231 2405	Clamper Holder	33- 7
C231 2406	Clamper Shaft	33- 5
C231 2411	Rear Sensor Sheet	33- 27
C231 2412	Friction Sheet - 214.5x25mm - B4	31- 43
C231 2413	Friction Sheet - 17.5x25mm - B4	31- 42

Part No.	Description	Page and Index No.
C231 2414	Friction Sheet - 194x25mm - LG, A4	31- 44
C231 2417	Master Exit Pawls	33- 2
C231 2428	Valve	35- 37
C231 2429	Pump Base	35- 6
C231 2435	Worm Wheel	35- 4
C231 2437	Pump Drive Gear	35- 2
C231 2450	Ink Roller - B4	35- 12
C231 2456	Ink Roller - A4	35- 12
C231 2458	Doctor Roller - B4	35- 13
C231 2459	Doctor Roller - A4	35- 13
C231 2460	Roller Drive Gear	35- 34
C231 2463	Drum Stay (B4)	35- 11
C231 2464	Drum Stay (A4)	35- 11
C231 2465	Drum Sub Stay (B4)	35- 14
C231 2466	Drum Sub Stay (A4)	35- 14
C231 2470	Ink Sensor Bracket	35- 10
C231 2471	Ink Sensor	35- 9
C231 2481	Drum Shaft - B4	35- 8
C231 2483	Joint Rubber	35- 33
C231 2484	Bushing Holder	35- 32
C231 2485	Joint	35- 31
C231 2487	Drum Shaft - A4	35- 8
C231 2495	Left Holder - Ink Roller	35- 21
C231 2498	Ink Pump Ass'y	35- 1
C231 2504	Drum Frame	31- 34
C231 2507	Drum Frame (CHINESE)	31- 34
C231 2519	Decal - Drum Replace	31- 36
C231 2519	Decal - Drum Replace	61- 10
C231 2520	Left Side Plate	33- 4
C231 2521	Right Side Plate	33- 14
C231 2524	Left Drum Stay	31- 31
C231 2525	Right Drum Stay	31- 30
C231 2526	Drum Grip	31- 32
C231 2529	Decal - Drum Replace (CHINESE)	31- 36
C231 2530	Left Arm	31- 14

Part No.	Description	Page and Index No.
C231 2531	Right Arm	31- 10
C231 2532	Pin	31- 23
C231 2533	Stepped Screw	31- 19
C231 2534	Lower Drum Grip	31- 16
C231 2536	Slider	31- 17
C231 2538	Connector Bracket	31- 21
C231 2541	Stopper Bracket	33- 24
C231 2542	Stopper	33- 23
C231 2543	Harness Cover	31- 18
C231 2544	Stopper Spring	33- 22
C231 2552	Shoulder Screw - M4	31- 37
C231 2553	Left Rail - Ink Holder	31- 7
C231 2555	Slyder Guide	31- 5
C231 2556	Ink Release Lever	31- 11
C231 2558	Release Lever Holder	33- 18
C231 2559	Spring	31- 6
C231 2560	Lever Spring	31- 12
C231 2565	Ink Cartridge Joint	33- 17
C231 2570	Decal - Ink Release Lever	61- 20
C231 2570	Decal - Ink Release Lever	31- 15
C231 2571	Decal - Ink Set Lever	31- 9
C231 2571	Decal - Ink Set Lever	61- 21
C231 2580	Metal Screen - B4	33- 20
C231 2582	Seal - B4	33- 21
C231 2583	Metal Screen - LG	33- 20
C231 2585	Metal Screen - A4	33- 20
C231 2587	Seal - A4/LG	33- 21
C231 2601	Drum Stay	29- 7
C231 2605	Left Positioning Pin	29- 30
C231 2607	Right Positioning Pin	29- 28
C231 2700	Paper Feed Tray Ass'y	19- 21
C231 2710	Paper Feed Tray Ass'y (CHINESE)	19- 21
C231 2760	Upper Registration Arm	21- 4
C231 2762	Registration Sensor Sheet	21- 14
C231 2765	Pressure Shaft	21- 3

Part No.	Description	Page and Index No.
C231 2766	Pressure Pin	21- 2
C231 2770	Rear Guide Plate Bracket	21- 10
C231 2781	Paper Table Shaft	21- 16
C231 2785	Motor Bracket	43- 2
C231 2786	Lift Gear	21- 19
C231 2794	Sensor Actuator	19- 8
C231 2796	Rear Paper Table Rack	19- 11
C231 2800	Paper Table Lift Bracket	19- 3
C231 2805	Table Lift Slider	19- 4
C231 2806	Table Position Feeler	19- 12
C231 2810	Paper Table Spring	19- 2
C231 2811	Separation Bracket	21- 25
C231 2815	Rack Spacer	19- 10
C231 2817	Front Paper Feed Stay	21- 21
C231 2825	Sensor Bracket	19- 14
C231 2836	Paper Feed Roller	23- 12
C231 2845	Roller Shaft	23- 18
C231 2847	Pulley	23- 16
C231 2850	Feed Arm	23- 13
C231 2851	Arm Stopper	23- 10
C231 2852	Spring	23- 32
C231 2855	Clutch Bracket	43- 12
C231 2856	Paper Pressure Plate	23- 2
C231 2858	Paper Feed Lever	23- 1
C231 2860	Feed Timing Belt	23- 17
C231 2861	Friction Pad Ass'y	21- 29
C231 2865	Arm Retainer	23- 11
C231 2868	Pressure Spring	21- 9
C231 2871	Motor Bracket	47- 10
C231 2887	Front Guide Plate Bracket	21- 12
C231 2889	Front Guide Plate Bracket	21- 11
C231 2890	Sensor Bracket	21- 6
C231 2892	Adjusting Screw	21- 24
C231 2893	Screw Holder	21- 23
C231 2896	Separation Adjuster	21- 20

Part No.	Description	Page and Index No.
C231 2897	Separation Spring Holder	21- 26
C231 2907	Paper Feed Stay	23- 9
C231 2908	Sensor Bracket	23- 8
C231 2917	Spring - Paper Feed Pressure	23- 6
C231 2918	Spring - Paper Feed Lever	23- 4
C231 2922	Pressure Roller	23- 3
C231 2932	Paper Feed Stay Ass'y	23- 31
C231 2936	Spring Anchor	23- 7
C231 2938	Lever Knob	23- 5
C231 2939	Stay Cover	23- 22
C231 2947	Base Ass'y	19- 37
C231 2951	Front Stay	19- 33
C231 2952	Rear Stay	19- 24
C231 2956	Base Cover	19- 34
C231 2960	Front Arm	19- 36
C231 2961	Rear Arm	19- 35
C231 2964	Table Adjuster	19- 25
C231 2965	Core	19- 5
C231 2970	Lock Shaft	19- 32
C231 2971	Lock Cam	19- 41
C231 2973	Lock Knob	19- 26
C231 2975	Original Guide Gear	19- 29
C231 2976	Washer	19- 38
C231 2979	Side Fence (CHN)	19- 18
C231 2980	Side Fence	19- 18
C231 2981	Side Fence Lack	19- 27
C231 2983	Spacer	19- 28
C231 2985	Spring	19- 30
C231 2986	Sensor Bracket	19- 15
C231 2990	Magnet Catch Holder	19- 23
C231 2991	Magnet Catch Bracket	23- 21
C231 2995	Decal - Side Fence	61- 12
C231 2996	Decal - Paper Set	19- 42
C231 2996	Decal - Paper Set	61- 13
C231 2997	Decal - Paper Level	61- 14

Part No.	Description	Page and Index No.
C231 2997	Decal - Paper Level	19- 40
C231 2997	Decal - Paper Level	19- 22
C231 2998	Decal - Paper Size	61- 15
C231 3100	Left Side Plate	29- 29
C231 3103	Right Side Plate	29- 26
C231 3110	Left Arm	29- 16
C231 3116	Stopper Bracket	29- 19
C231 3120	Left Spring Anchor	29- 32
C231 3123	Right Spring Anchor	29- 21
C231 3126	Pressure Spring Screw	29- 12
C231 3127	Pressure Spring Nut	29- 10
C231 3130	Left Solenoid Ass'y	29- 33
C231 3131	Left Bracket	29- 35
C231 3134	Right Solenoid Ass'y	29- 25
C231 3135	Right Bracket	29- 24
C231 3137	Release Spring	29- 23
C231 3140	Pressure Spring - B4	29- 13
C231 3141	Pressure Spring - A4	29- 13
C231 3458	Front Bracket	41- 31
C231 3468	Rear Bracket	41- 38
C231 3479	Spring Plate	41- 6
C231 3482	Lower Eject Roller	41- 19
C231 3485	Sensor Bracket	41- 11
C231 3486	Bushing	41- 29
C231 3487	Pressure Spring	41- 30
C231 3489	Lower Roller Gear	41- 28
C231 3492	Large Pulley	41- 33
C231 3493	Coupled Gear - Large	41- 39
C231 3494	Gear - Lower Roller	41- 40
C231 3505	Position Sensor Feeler	41- 34
C231 3512	Eject Box Cover	41- 2
C231 3513	Stepped Screw	41- 3
C231 3516	Worm Wheel	41- 8
C231 3518	First Gear	41- 43
C231 3519	Second Gear	41- 42

Part No.	Description	Page and Index No.
C231 3521	Decal Eject Box	61- 5
C231 3521	Decal Eject Box	41- 1
C231 3541	Unit Cover	41- 5
C231 3551	Lower Stay - Master Eject	51- 12
C231 3852	Fan Bracket	37- 10
C231 3861	Delivery Duct	37- 9
C231 3871	Drive Roller	37- 2
C231 3871	Drive Roller	37- 4
C231 3872	Drive Roller	37- 7
C231 3875	Drive Pulley	37- 5
C231 3877	Driven Shaft	37- 8
C231 3878	Transport Belt	37- 3
C231 3879	Timing Belt	37- 6
C231 3880	Paper Delivery Stay	51- 3
C231 3881	Front Bracket	51- 4
C231 3882	Rear Bracket	51- 8
C231 3883	Front Lower Bracket	51- 15
C231 3884	Rear Lower Bracket	51- 16
C231 4062	Drum Positioning Guide	45- 13
C231 4063	Drum Pin Catcher	45- 8
C231 4075	Clamp Drive Side Plate	43- 23
C231 4201	Paper Delivery Table Ass'y	39- *
C231 4352	Air Knife Duct	41- 23
C231 4390	Bottom Plate	39- 10
C231 4401	Front Stay	39- 13
C231 4402	Rear Stay	39- 9
C231 4406	End Plate Fence	39- 2
C231 4407	Side Fence Case	39- 5
C231 4408	Side Fence Grip	39- 3
C231 4409	Support Plate	39- 14
C231 4410	End Plate Bracket	39- 4
C231 4413	Delivery Table Spring	39- 15
C231 4414	Lower Side Fence Pin	39- 18
C231 4415	Upper Side Fence Pin	39- 19
C231 4416	End Plate Case	39- 1

Part No.	Description	Page and Index No.
C231 4419	End Plate Pin	39- 17
C231 4420	Slider Spring Plate	39- 11
C231 4421	Slider Cover	39- 24
C231 4425	End Plate Sheet	39- 22
C231 4426	End Plate Cushion	39- 23
C231 4427	Front Side Fence	39- 8
C231 4428	Rear Side Fence	39- 7
C231 4432	Front Hinge	51- 5
C231 4438	Stepped Screw	51- 6
C231 4441	Rear Hinge	51- 7
C231 4481	Drive Arm	29- 3
C231 4482	Exit Pawl Shaft	29- 1
C231 4483	Roller Bracket	29- 4
C231 4485	Roller Bracket	29- 5
C231 5008	Power Supply Cord - 115V	45- 25
C231 5009	Power Supply Cord - 230V	45- 25
C231 5011	Power Supply Cord	45- 25
C231 5122	Noise Filter Board - 115V	45- 21
C231 5123	Noise Filter Board - 230V	45- 21
C231 5201	AC Main Harness	47- 3
C231 5213	Drum Relay Harness	47- 15
C231 5213	Drum Relay Harness	47- 21
C231 5227	Relay Harness	19- 9
C231 5229	Paper Feed Harness	19- 7
C231 5240	Plotter Harness	25- 28
C231 5250	Drum Relay Harness	31- 22
C231 5251	Relay Harness - Ink Pump	35- 41
C231 5252	Relay Harness - Ink Pump	35- 41
C231 5253	Ink Sensor Harness	35- 24
C231 5256	Grounding Wire	31- 2
C231 5257	Jumper Wire	31- 35
C231 5260	Relay Harness	19- 17
C231 5263	Registration Sensor Harness	21- 28
C231 5266	Paper Table Relay Harness	23- 26
C231 5272	Paper Delivery Harness	37- 13

Part No.	Description	Page and Index No.
C231 5600	MPU Base	49- 11
C231 5607	Scanner Switch Bracket	49- 12
C231 5610	Sensor Bracket	29- 20
C231 5611	Sensor Bracket	29- 11
C231 5612	Sensor Bracket	29- 8
C231 5613	Grounding Plate	49- 3
C231 5622	Lower Left Bracket	47- 23
C231 5623	Insulating Sheet	47- 17
C231 5630	Noise Filter Bracket	45- 20
C231 5660	Decal - Master Set	61- 6
C231 5660	Decal - Master Set	45- 28
C231 5670	Cord Bracket	45- 26
C231 5812	Paper Delivery Motor	37- 1
C231 5812	DC Motor	41- 27
C231 5841	Stepper Motor - DC 24V	27- 19
C231 5890	Main Motor - DC24V	43- 17
C231 6001	Upper Left Stay	49- 5
C231 6007	Rear Fixing Bracket	49- 2
C231 6015	Holder Bracket - Front	49- 9
C231 6016	Holder Bracket - Rear	49- 10
C231 6017	Front Lock Bracket	19- 1
C233 4391	Front Lower Guide	39- 21
C233 4392	Rear Lower Guide	39- 6
C233 4393	Front Lower Guide (CHINESE)	39- 21
C233 4394	Rear Lower Guide (CHINESE)	39- 6
C233 4410	Slider Cover	39- 12
C237 1063	Front Right Guide	47- 24
C237 1169	Drum Drive Gear Unit (CHINESE)	43- 10
C237 1202	Right Cover Ass'y	7- 13
C237 1210	Front Cover Ass'y (JP1230)(ASIA)	7- 15
C237 1212	Front Cover Ass'y (JP1210)	7- 15
C237 1213	Front Cover Ass'y (JP1250)	7- 15
C237 1216	Front Cover Ass'y (GES/SVN)	7- 15
C237 1217	Front Cover Ass'y (NRG)	7- 15
C237 1218	Front Cover Ass'y (5308b)(B4)	7- 15

Part No.	Description	Page and Index No.
C237 1222	Front Cover Ass'y (5308L)(LG)	7- 15
C237 1223	Front Cover Ass'y (JP1250)(CHINESE)	7- 15
C237 1224	Front Cover Ass'y (5300)(B4)	7- 15
C237 1225	Front Cover Ass'y (STD)	7- 15
C237 1254	Lower Cover - Operation Panel	7- 1
C237 1256	Front Door Ass'y (JP1230)	7- 5
C237 1265	Front Door Ass'y (JP1210)	7- 5
C237 1268	Front Door Ass'y (JP1250)	7- 5
C237 1301	Ink Supply Sheet	61- 17
C237 1301	Ink Supply Sheet	7- 19
C237 1303	Decal - Scanner Open	61- 7
C237 1303	Decal - Scanner Open	7- 2
C237 1321	Model Name Plate - 5308L	7- 16
C237 1324	Model Name Plate - 5308	7- 16
C237 1325	Model Name Plate - 1225	7- 16
C237 1326	Model Name Plate - CP308	7- 16
C237 1327	Model Name Plate - 5308b	7- 16
C237 1333	Model Name Plate - 5300 (CHINESE)	7- 16
C237 1345	Model Name Plate - SD330	7- 16
C237 1350	Connector Cap	7- 10
C237 1355	Connector Bracket	45- 12
C237 1356	LED Bracket	45- 2
C237 1358	Left Upper Bracket	45- 27
C237 1359	LED Cover Bracket	45- 3
C237 1360	Rear Cover	7- 12
C237 1363	Connector Cap	7- 21
C237 1366	Upper Bracket - Rear Cover	45- 6
C237 1388	Operation Panel Bracket	47- 11
C237 1389	Safety Switch Bracket	7- 7
C237 1397	Right Lower Bracket	47- 9
C237 1399	Magnet Catch Bracket Ass'y	7- 14
C237 1442	Micro Switch - V-152-3A5(10E)	49- 14
C237 1442	Micro Switch - V-152-3A5(10E)	47- 22
C237 1451	Operation Panel Ass'y (NA)	9- 1
C237 1452	Operation Panel Ass'y (EU)	9- 1

Part No.	Description	Page and Index No.
C237 1454	Operation Panel Ass'y (CHINESE)	9- 1
C237 1455	Operation Panel Ass'y - ZOOM (CHINESE)	9- 1
C237 1491	Key Sheet - Behind (NA)	9- 3
C237 1492	Key Sheet - Center (NA)	9- 5
C237 1493	Contenance Shield (NA)	9- 6
C237 1496	Key Sheet - Behind (EU)	9- 3
C237 1498	Contenance Shield (EU)	9- 6
C237 1503	Contenance Shield (CHINESE)	9- 6
C237 1650	Stopper Bracket	29- 27
C237 1655	Upper Bracket	17- 2
C237 1656	Gas Spring	17- 1
C237 1661	Insulating Sheet - Scanner Unit	17- 35
C237 1711	Front Bracket	15- 1
C237 1995	Plotter Inner Stay	29- 37
C237 1996	Front Stay	29- 9
C237 2010	Plotter Rear Plate	27- 21
C237 2020	Plotter Front Plate	27- 27
C237 2063	Brake Lever	27- 6
C237 2076	Brake Roller	27- 5
C237 2082	Lower Guide Plate Ass'y	27- 2
C237 2104	Platen Roller - B4	25- 17
C237 2105	Platen Roller - A4	25- 17
C237 2112	Tension Roller - B4	25- 6
C237 2113	Tension Roller - A4	25- 6
C237 2210	Rear Master Holder - B4	25- 26
C237 2211	Rear Master Holder - A4/LG	25- 26
C237 2281	Antistatic Brush Ass'y	25- 1
C237 2283	Antistatic Brush	27- 3
C237 2300	Drum Unit (B4)	31- 1
C237 2301	Drum Unit (LG)	31- 1
C237 2302	Drum Unit (A4)	31- 1
C237 2303	Drum Unit (CHINESE)	31- 1
C237 2401	Drum Clamper Ass'y	33- 1
C237 2535	Arm Pin	31- 13
C237 2551	Ink Holder Slyder	31- 4

Part No.	Description	Page and Index No.
C237 2554	Right Rail - Ink Holder	31- 8
C237 2561	Slider Guide Left	31- 3
C237 2611	Connector Bracket	47- 20
C237 2763	Sensor Sheet	21- 22
C237 2764	Lower Registration Roller Ass'y	21- 13
C237 2773	Side Fence Pad	63- 1
C237 2790	Front Paper Table Rack	19- 6
C237 2807	Upper Registration Roller	21- 1
C237 2820	Feed Roller Position Feeler	23- 14
C237 2841	Reverse Roller Shaft	23- 19
C237 2843	Bushing	43- 39
C237 2844	Bushing - 8mm	23- 30
C237 2881	Guide Plate	21- 7
C237 2898	Separation Spring	21- 27
C237 2937	Decal - Paper Feed Pressure	61- 11
C237 2937	Decal - Paper Feed Pressure	23- 23
C237 3050	Pressure Roller Ass'y - B4	29- 14
C237 3052	Pressure Roller Ass'y - A4	29- 14
C237 3113	Right Arm	29- 17
C237 3117	Pressure Roller Stopper	29- 18
C237 3465	Unit Base	41- 20
C237 3474	Air Knife Bracket	41- 26
C237 3476	Unit Stay	41- 10
C237 3481	Upper Eject Roller	41- 18
C237 3491	Timing Belt - S2M 76Z	41- 32
C237 3501	Pressure Plate	41- 14
C237 3504	Pressure Plate Shaft	41- 13
C237 3505	Pin 3x16	41- 47
C237 3506	Guide Plate	41- 7
C237 3510	Master Eject Box	41- 4
C237 3521	Front Holder	41- 15
C237 3522	Pressure Plate	41- 9
C237 3524	Pressure Spring	41- 17
C237 3525	Spring	41- 16
C237 3531	Rear Slide Rail - Master Eject	51- 11

Part No.	Description	Page and Index No.
C237 3532	Front Slide Rail - Master Eject	51- 10
C237 3535	Connector Bracket - Master Eject	51- 13
C237 3571	Master Pick-off Pawl	41- 36
C237 3573	Spring	41- 46
C237 3575	Master Pick-off Pawl Shaft	41- 45
C237 3576	Separation Plate Cushion	41- 22
C237 3684	Gear - Pressure Plate	41- 44
C237 3800	Paper Delivery Unit	37- *
C237 3803	Paper Delivery Unit - Chinese	37- *
C237 3885	Long Antistatic Brush	51- 2
C237 3886	Short Antistatic Brush	51- 1
C237 3888	Antistatic Brush	51- 9
C237 3890	Seal - Paper Delivery Unit (CHINESE)	37- 12
C237 4055	Clamp Rack	45- 10
C237 4060	Master Feed Clamp Lever	45- 4
C237 4206	Paper Exit Pump	43- 38
C237 4349	Spring - Exit Pawl Shaft	29- 36
C237 4351	Air Pump Bracket	43- 37
C237 4365	Exit Pawl	29- 2
C237 4367	Hose	43- 35
C237 4373	Pump Driven Gear	43- 36
C237 4479	Pickoff Pawl Bushing	29- 31
C237 5004	Scanner Motor	17- 11
C237 5100	MPU Board	59- *
C237 5100	MPU Board	45- 7
C237 5101	Main Motor Control Board	45- 17
C237 5105	Main ROM	45- 9
C237 5105	Main ROM	59- 1
C237 5107	Feed ROM	59- 4
C237 5124	Noize Filter Board (CHINESE)	45- 21
C237 5125	Operation Panel Board	9- 29
C237 5140	IC - LC27273B-TD9	59- 14
C237 5150	MPU Board - ASIA	59- *
C237 5150	MPU Board - ASIA	45- 7
C237 5155	Main ROM - ASIA	59- 1

Part No.	Description	Page and Index No.
C237 5155	Main ROM - ASIA	45- 9
C237 5177	RAM - 16K	59- 16
C237 5180	Lamp Stabilizer	17- 33
C237 5200	DC Main Harness	45- 11
C237 5216	Harness - ADF Motor	15- 28
C237 5225	Operation Panel Harness	9- 10
C237 5228	Harness - ADF	15- 12
C237 5280	Eject Unit Harness	41- 41
C237 5300	Power Supply Unit	47- 16
C237 5461	Master Counter	47- 19
C237 5462	Copy Counter	47- 14
C237 5606	MPU Cover	45- 29
C237 5650	Switch Bracket	47- 2
C237 5685	Door Switch Bracket	47- 8
C237 5690	Push Switch Bracket	47- 26
C237 5830	Master Eject Motor - DC24V/7.2W	43- 24
C237 5876	Registration Motor Ass'y	47- 12
C237 5879	Paper Feed Magnetic Clutch	23- 29
C237 5880	Air Knife Fan	37- 11
C237 5880	Air Knife Fan	41- 24
C237 6005	Front Bracket	49- 1
C237 6011	Front Harness Cover	45- 30
C237 6661	Clamper Sleeve	43- 26
C237 8008	IC - LC98300BT-SB4	59- 15
C237 8607	Operating Instructions - English (NA)	61- 16
C237 8608	Operating Instructions - English (ASIA)	61- 16
C237 8688	Operating Instructions - English (GES ASIA)	61- 16
C237 8690	Operating Instructions - English (NRG EU)	61- 16
C237 8697	Operating Instructions - English	61- 16
C237 8698	Operating Instructions - English (STD)	61- 16
C526 2251	Drum Decal - Red	63- 2
C526 2252	Drum Decal - Blue	63- 2
C526 2253	Drum Decal - Green	63- 2
C526 2254	Drum Decal - Brown	63- 2
C526 2259	Drum Decal - Blank	63- 2

Part No.	Description	Page and Index No.
C575 3420	Standard White Sheet	13- 45
C583 1000	Optioin Drum Case Ass'y	63- 6
C583 1255	Decal - Drum Position	63- 8
C583 1265	Decal - Drum Modeol LG	63- 7
C584 1265	Decal - Drum Modeol B4	63- 7
C585 1265	Decal - Drum Modeol A4	63- 7
H004 3755	Square Bushing	15- 16
H006 2316	Spacer - Pick-up Clutch	11- 13
H006 2383	Snap Ring	15- 3
H006 2383	Snap Ring	17- 16
H012 1181	Bushing- 6mm	25- 29
H081 1046	Idler Gear - ADF Pick-up Rolle	11- 26
H081 1065	Timing Belt - Idler 2	13- 26
H081 1065	Timing Belt - IDLER 2	17- 18
H081 3407	Snap Ring - M2.5	11- 15
H081 3407	Snap Ring - M2.5	13- 14
H515 5018	Cover Switch - Fusing Exit	13- 29
H521 1050	Carriage - Scanner	17- 28
H521 1054	Slider - Carriage	17- 29
H521 1057	Spring - Image Sensor	17- 30
H521 1058	Base - Main	15- 8
H521 1061	Shaft - Slider	17- 26
H521 1062	Rail - Scanner	17- 20
H521 1069	Holder - Flat Cable	17- 21
H521 1071	Spring Plate	17- 17
H521 1072	Bracket - Flat Cable Holder	17- 8
H521 1074	Timing Belt	17- 15
H521 1075	Bracket - Pulley - Scanner	17- 25
H521 1078	Pulley - Scanner	17- 22
H521 1079	Wire - Scanner Drive	17- 32
H521 1080	Spring - Wire	17- 34
H521 1081	Pulley - Scanner	17- 14
H521 1089	Fulcrum - Scanner Unit - Rear	15- 20
H521 1090	Bracket - Lock Lever - Front	15- 24
H521 1096	Spring - Lock Lever	15- 25

Part No.	Description	Page and Index No.
H521 1099	Handle - Lock - Lever	15- 13
H521 1100	Spring - CTM	15- 26
H521 1101	Spring - Center	15- 4
H521 1104	Shading Sheet	9- 9
H521 1105	Platen Cover Ass'y	9- 11
H521 1110	Exposure Glass	9- 16
H521 1112	Bracket - Center	15- 6
H521 1115	Pin - CTM	15- 5
H521 1117	Base - Rear	15- 18
H521 1121	Roller	17- 6
H521 1122	Bracket - Wire	17- 31
H521 1124	Scale - Side	9- 13
H521 1127	Scanner Shaft Stopper	17- 24
H521 1130	Bracket - Harness - 1	15- 14
H521 1132	Bracket - Harness - 2	15- 15
H521 1144	Pin - CTM - Long	15- 27
H521 1160	Stopper Pressure Plate	9- 27
H521 1162	Base - Front	15- 7
H521 1169	Sheet - Flexible Board - 2	17- 7
H521 1170	Sheet - Flexible Board - 3	15- 11
H521 1177	Sponge - Base	15- 31
H521 1189	Sheet - Flexible Board - 1	15- 29
H521 1196	Sheet - Flexible Board - 4	15- 30
H521 1197	Scanner Seal	15- 9
H521 1210	ADF Roller Unit	11- 41
H521 1214	Base - ADF	11- 35
H521 1221	Sponge - Shaft - Scanner	17- 5
H521 1222	Holder - Sponge	17- 4
H521 1228	Upper Cover	9- 15
H521 1250	R0 Roller	13- 19
H521 1251	R1 Roller	13- 20
H521 1252	R2 Roller	13- 42
H521 1254	Lower Guide Plate	13- 39
H521 1257	Upper Cover - ADF	11- 1
H521 1258	Separation Guide	13- 21

Part No.	Description	Page and Index No.
H521 1259	Guide Plate R2	11- 29
H521 1261	Front Side Plate	13- 1
H521 1264	Rear Side Plate	13- 28
H521 1267	Motor Bracket	13- 33
H521 1268	Bracket - Pickup	11- 21
H521 1276	Shaft - Separation Unit	13- 16
H521 1278	Exposure Glass - ADF Option	11- 37
H521 1279	Joint Gear	13- 30
H521 1280	Pulley R1	13- 23
H521 1281	R2 Drive Gear	13- 4
H521 1282	Joint Gear	13- 7
H521 1283	Front Drive Gear - Reverse	13- 8
H521 1284	Front Drive Gear - Feed	13- 9
H521 1285	Middle Drive Gear - Reverse	13- 18
H521 1286	Gear - Feed Roller	11- 18
H521 1287	Gear - Pickup Roller	11- 25
H521 1288	Collar - Pickup	11- 24
H521 1289	Pressure Plate	13- 46
H521 1290	Busing	13- 10
H521 1292	Shaft - Feed Roller	11- 17
H521 1293	Joint Shaft	13- 11
H521 1294	Shaft - Pickup	11- 16
H521 1295	Shaft - Separation Roller	13- 15
H521 1296	Bushing	13- 17
H521 1297	Lock Lever	13- 6
H521 1299	Lock Shaft	13- 43
H521 1300	Spring Plate	13- 25
H521 1301	Pressure Roller - R1	11- 8
H521 1302	Guide Roller R2	11- 33
H521 1303	Spring Plate - R0	11- 5
H521 1304	Spring R1	11- 4
H521 1305	Spring Plate R2	11- 31
H521 1306	Guide Roller Shaft	11- 10
H521 1307	Guide Roller Shaft	11- 7
H521 1308	Lock Spring	13- 2

Part No.	Description	Page and Index No.
H521 1309	Timing Belt	13- 31
H521 1310	Pin Shaft	11- 36
H521 1311	Busing	13- 5
H521 1312	Pressuer Shaft Holder	13- 44
H521 1314	Spring Clutch - M6	11- 14
H521 1316	Spring Clutch - M9	11- 19
H521 1317	Pressure Spring	11- 40
H521 1318	Cover - Front	11- 9
H521 1319	Exit Roller Colar	11- 32
H521 1320	Original Table	9- 25
H521 1321	Release Lever	13- 47
H521 1322	Front Guide - Original	9- 23
H521 1323	Rear Guide - Original	9- 22
H521 1324	Original Guide Cover	9- 20
H521 1325	Original Guide Gear	9- 24
H521 1328	Cover - Rear - ADF	11- 22
H521 1330	Cover - Rear/lower - ADF	11- 28
H521 1331	Antistatic Brush	13- 40
H521 1334	Guide Mylar - Front	11- 3
H521 1335	Bushing - 8x10mm	13- 27
H521 1336	Lock Spring	13- 3
H521 1337	Guide Roller R0	11- 12
H521 1338	Cover - Front - Lower	11- 38
H521 1340	Pulley R2	13- 24
H521 1341	Plessuer Spring	13- 41
H521 1342	Guide Mylar - Rear	11- 2
H521 1348	Collor R0	11- 11
H521 1350	Pad - Pick-up	13- 22
H521 1354	Collar R1	11- 6
H521 1356	Cover Sheet	9- 19
H521 1357	Decal - Original Level	9- 21
H521 1358	Motor Cushion	13- 35
H521 1359	Decal - Original Table	9- 26
H521 1360	Spring	13- 48
H521 1364	Guide Sheet	11- 39

Part No.	Description	Page and Index No.
H521 1365	Antistatic Brushi	13- 49
H521 1366	ADF Pickup Roller	11- 23
H521 1367	Feed Roller	11- 20
H521 1368	Sheet - Interlock SW.	11- 34
H521 1372	Reverse Rollefr	13- 12
H521 1374	Bracket - Reverse	13- 13
H521 5010	Scanner Motor - ADF	13- 34
H521 5011	Document Sensor - S1/S3	13- 37
H521 5012	Document Sensor - S2	13- 38
H521 5305	Sensor Harness	17- 23
H521 5331	Grownding Wire - 125	11- 30
H521 5332	Grownding Wire - 70	11- 27
H521 5336	Harness - ADF - L	13- 36
H522 1064	Motor Bracket	17- 13
H522 1100	Sensor Guide	15- 10
H522 1150	Cushion - Scanner Motor	17- 12

Part No.	Description	Page and Index No.
A010 5700	Sensor	21- 8
A030 1339	Plate Nut - Key Counter	47- 13
A153 6409	Decal - Keytop Cover (GES)	7- 18
A153 6409	Decal - Keytop Cover (GES)	61- 19
A193 5521	IC - IBC2	59- 8
A682 6166	Front Stand	63- 5
A682 6167	Rear Stand	63- 3
A682 6170	Stand Fixing Plate	63- 4

Part No.	Description	Page and Index No.
5053 0419	Bushing - 10mm	21- 5
5053 0419	Bushing - 10mm	23- 15
5053 0419	Bushing - 10mm	29- 39
5054 0536	Magnet Catch Ass'y	23- 24
5215 2621	Snap Ring - M6	17- 3
5219 1957	Stepped Screw - M4	19- 39
5316 7421	O - Ring	35- 30
5506 6111	Stepped Screw - M4	29- 40
5600 1086	Spacer - 10.2 X 20	23- 28
5606 2310	Roller	19- 43

Part No.	Description	Page and Index No.
0242 0080Z	Screw - M2X8	27-105
0313 0030B	Philips Pan Head Screw - M3x3	11-105
0313 0030B	Philips Pan Head Screw - M3x3	13-107
0313 0060B	Philips Pan Head Screw - M3X6	11-107
0313 0060Z	Philips Pan Head Screw - M3x6	43-117
0314 0080Z	Philips Screw - 4x8	35-107
0315 0200Z	Philips Screw - 5x20	43-105
0323 0060B	Philips Sunk Screw - M3x6	11-103
0323 0100Z	Philips Sunken Head Screw - M3x10	47-102
0343 0100F	Philips Truss Screw - M3x10	9-104
0353 0050Z	Philips Truss Head Screw - M3x5	41-107
0353 0050Z	Philips Truss Head Screw - M3x5	15-106
0353 0050Z	Philips Truss Head Screw - M3x5	47-104
0353 0050Z	Philips Truss Head Screw - M3x5	35-112
0353 0050Z	Philips Truss Head Screw - M3x5	31-104
0353 0050Z	Philips Truss Head Screw - M3x5	49-103
0353 0060Z	Screw - M3X6	41-105
0353 0060Z	Screw - M3X6	29-107
0353 0060Z	Screw - M3X6	9-102
0353 0080Z	Philips Truss Head Screw - M3x8	31-108
0353 0080Z	Philips Truss Head Screw - M3x8	9-103
0354 0060Z	Philips Truss Head Screw - M4x6	35-111
0354 0060Z	Philips Truss Head Screw - M4x6	31-102
0354 0060Z	Philips Truss Head Screw - M4x6	33-104
0354 0100B	Screw - M4X10	47-107
0450 3006B	Tapping Screw - M3x6	19-110
0450 3006B	Tapping Screw - M3x6	25-105
0450 3008B	Tapping Screw - M3x8	9-106
0450 3008B	Tapping Screw - M3x8	33-105
0450 3008B	Tapping Screw - M3x8	19-111
0450 3008B	Tapping Screw - M3x8	41-111
0450 3008H	Tapping Screw M3x8	39-101
0450 3008H	Tapping Screw M3x8	7-104
0450 3012B	Tapping Screw -3x12	39-103
0450 4006B	Tapping Screw - 4x6	19-109

Part No.	Description	Page and Index No.
0450 4006B	Tapping Screw - 4x6	31-107
0450 4008B	Tapping Screw - 4x8	37-104
0450 4008B	Tapping Screw - 4x8	39-102
0450 4008B	Tapping Screw - 4x8	19-108
0450 4008B	Tapping Screw - 4x8	7-103
0450 4025B	Tapping Screw With Washer - M4x25	43-102
0451 3006B	Tapping Screw - M3x6	19-107
0451 3006B	Tapping Screw - M3x6	41-104
0451 3006B	Tapping Screw - M3x6	21-106
0451 3006B	Tapping Screw - M3x6	37-103
0451 3006B	Tapping Screw - M3x6	25-102
0451 3006B	Tapping Screw - M3x6	17-103
0451 3006B	Tapping Screw - M3x6	43-114
0451 3006B	Tapping Screw - M3x6	27-101
0451 3006B	Tapping Screw - M3x6	35-109
0451 3006B	Tapping Screw - M3x6	45-107
0451 3008B	Tapping Screw - M3x8	45-105
0451 3008B	Tapping Screw - M3x8	47-109
0451 3008B	Tapping Screw - M3x8	51-104
0451 3008B	Tapping Screw - M3x8	39-105
0451 4006B	Tapping Screw - 4x6	23-102
0451 4006B	Tapping Screw - 4x6	29-105
0451 4006B	Tapping Screw - 4x6	39-104
0451 4006B	Tapping Screw - 4x6	41-106
0451 4006B	Tapping Screw - 4x6	19-101
0451 4006B	Tapping Screw - 4x6	7-101
0451 4006B	Tapping Screw - 4x6	51-101
0451 4006B	Tapping Screw - 4x6	45-101
0451 4006B	Tapping Screw - 4x6	49-101
0451 4006B	Tapping Screw - 4x6	21-105
0451 4006B	Tapping Screw - 4x6	47-103
0451 4006B	Tapping Screw - 4x6	43-110
0451 4008B	Philips Tapping Screw - M4X8	43-104
0451 4008H	Tapping Screw - 4x8	7-102
0451 4008H	Tapping Screw - 4x8	37-105

Part No.	Description	Page and Index No.
0451 4008W	Tapping Screw - M4x8	43-115
0451 4008W	Tapping Screw - M4x8	45-111
0451 4008W	Tapping Screw - M4x8	29-112
0451 4008W	Tapping Screw - M4x8	51-102
0451 4014B	Tapping Screw - M4x14	37-102
0451 4014B	Tapping Screw - M4x14	41-112
0452 3006B	Tapping Screw - M3x6	33-106
0452 3006B	Tapping Screw - M3x6	45-104
0452 4008B	Binding Self Tapping Screw - M4x8	45-112
0574 0040E	Hexagon Headless Set Screw - M4x4	21-108
0574 0040E	Hexagon Headless Set Screw - M4x4	35-105
0574 0040E	Hexagon Headless Set Screw - M4x4	25-104
0574 0050E	Hexagon Headless Set Screw - M4x5	21-113
0575 0060E	Hexagon Headless Set Screw - M5x6	43-103
0584 0121Z	Hexagon Bolt - M4x12	29-103
0593 0040B	Hexagonal Set Screw - M3x4	29-110
0593 0080E	Bolt - M3x8	29-101
0593 0100Z	Bolt M3x10	33-107
0594 0060Z	Hexagon Socket Bolt - M4x6	31-106
0594 0080E	Bolt - M4x8	21-111
0594 0080Z	Bolt - M4x8	35-104
0594 0080Z	Bolt - M4x8	33-108
0595 0080E	Hexagon Bolt - M5x8	21-101
0633 0140G	Parallel Pin - 3x14	37-101
0633 0160G	Parallel Pin - 3x16mm	23-107
0701 0030Z	Flat Washer - M3	9-105
0701 0040Z	Flat Washer - M4	21-112
0701 0040Z	Flat Washer - M4	15-107
0701 0050Z	Flat Washer - M5	21-102
0703 0030Z	Spring Washier 3	47-113
0710 0040Z	Hex Nut 4	29-102
0720 0020E	Retaining Ring - M2	41-103
0720 0020E	Retaining Ring - M2	33-101
0720 0025E	Retaining Ring - M2.5	27-103
0720 0030E	Retaining Ring - M3	43-108

Part No.	Description	Page and Index No.
0720 0030E	Retaining Ring - M3	21-109
0720 0030E	Retaining Ring - M3	17-106
0720 0030E	Retaining Ring - M3	15-103
0720 0040E	Retaining Ring - M4	19-105
0720 0040E	Retaining Ring - M4	13-102
0720 0040E	Retaining Ring - M4	27-106
0720 0040E	Retaining Ring - M4	29-104
0720 0040E	Retaining Ring - M4	41-101
0720 0040E	Retaining Ring - M4	23-101
0720 0040E	Retaining Ring - M4	25-103
0720 0040E	Retaining Ring - M4	45-108
0720 0040E	Retaining Ring - M4	11-102
0720 0040Z	Retaining Ring - M4	31-103
0720 0040Z	Retaining Ring - M4	45-113
0720 0050Z	Retaining Ring - M5	35-108
0720 0060B	Retainig Ring - M6	43-118
0720 0060E	Retaining Ring - M6	23-108
0720 0060E	Retaining Ring - M6	19-104
0720 0060E	Retaining Ring - M6	37-107
0720 0060E	Retaining Ring - M6	35-101
0720 0060E	Retaining Ring - M6	43-106
0720 0060E	Retaining Ring - M6	13-103
0720 0060E	Retaining Ring - M6	31-101
0720 0060Z	Retaining Ring - M6	31-109
0720 0070E	Retaining Ring - M7	13-104
0720 0080E	Retaining Ring - M8	21-103
0720 0080E	Retaining Ring - M8	29-106
0720 0080E	Retaining Ring - M8	23-106
0725 0100E	Retaining Ring C - M10	17-102
0725 0160E	Retaining Ring C - M16	35-103
0740 3008	Ball Bearing - 8x22x7	21-107
0740 3010	Ball Bearing - 10x26x8mm	43-112
0801 0103	Screw - M4X8	31-110
0801 0137	Philips Pan Head Screw With Spring	41-114
0801 1004	Screw - M4X4	19-106

Part No.	Description	Page and Index No.
0801 1004	Screw - M4X4	45-109
0801 1004	Screw - M4X4	33-112
0801 1004	Screw - M4X4	23-105
0801 1004	Screw - M4X4	29-109
0801 1004	Screw - M4X4	51-103
0801 1135	Philips Pan Head Screw - M3x3	43-109
0801 1135	Philips Pan Head Screw - M3x3	27-102
0801 1135	Philips Pan Head Screw - M3x3	41-102
0802 5205	Tapping Screw - M3x6	17-107
0802 5205	Tapping Screw - M3x6	13-101
0802 5206	Tapping Screw - M3x8	13-105
0802 5230	Tapping Screw - M3x10	11-101
0804 6091	Hexagonal Set Screw - M2x5	33-110
0804 6107	Hexagon Bolt - M2x4	33-103
0805 3385	Bushing - 6mm	41-108
0805 3386	Bushing - 8mm	11-104
0807 2071	Washer - 3.1x7x0.2mm	17-101
0807 5044	Spacer - 8.1mm X 11.5mm X 0.2	43-107
0807 5049	Wave Washer - 8 Mm	31-105
0807 7114	Washer - 16x24x0.3mm	35-102
0807 7114	Washer - 16x24x0.3mm	33-109
0808 0021	Rubber Ring	33-111
0951 3006B	Philips Screw With Flat Washer - M3x6	11-106
0951 3006B	Philips Screw With Flat Washer - M3x6	9-101
0951 3006B	Philips Screw With Flat Washer - M3x6	17-104
0951 3006B	Philips Screw With Flat Washer - M3x6	15-102
0951 3006W	Philips Screw With Flat Washer - M3x6	29-108
0951 3006Z	Philips Screw With Flat Washer - M3	15-105
0951 3006Z	Philips Screw With Flat Washer - M3	31-112
0951 3006Z	Philips Screw With Flat Washer - M3	21-110
0951 3006Z	Philips Screw With Flat Washer - M3	23-103
0951 3008Z	Philips Screw With Flat Washer - M3	31-111
0951 3010Z	Philips Screw With Flat Washer - M3	41-113
0951 3012Z	Philips Screw W/h Flat Washer - M3x12	21-104
0951 3012Z	Philips Screw W/h Flat Washer - M3x12	19-103

Part No.	Description	Page and Index No.
0951 3014W	Philips Screw With Flat Washer - M3	49-102
0951 3014Z	Philips Screw W/h Flat Waser - M3x14	47-105
0951 3014Z	Philips Screw W/h Flat Waser - M3x14	25-106
0951 4005Z	Philips Screw Wifh Flat Washer - M4x5	43-116
0951 4005Z	Philips Screw Wifh Flat Washer - M4x5	19-113
0951 4006Z	Philips Screw With Flat Washer - M4	19-102
0951 4006Z	Philips Screw With Flat Washer - M4	35-106
0951 4020Z	Philips Screw With Flat Washer - M4	51-107
0960 4008Z	Flange Head Screw - 4x8	43-101
0960 4008Z	Flange Head Screw - 4x8	19-112
1101 0328	Connector Pin Contact	59-101
1102 4210	Connector - 11P	59-102
1102 4212	CT Header - 15P	59-103
1102 4820	CT Header - 24P	59-104
1102 4821	Connector - 26P	59-105
1102 4822	Connector - 28P	59-106
1102 5301	Connector - 2P	59-107
1102 5305	Connector - 6P	59-108
1102 6596	Connector	59-109
1102 7031	Connector - SLEM11S-2	59-110
1102 7455	Connector FX6-60S-0.8SV2	59-111
1104 0378	IC Socket - 24p - DICF-24CS-E	59-112
1104 0473	32p - IC Socket	59-113
1104 0564	Fuse Socket	59-114
1104 0588	Dip Socket - 28p	59-115
1104 0589	Dip Socket - 32p	59-215
1104 0761	IC Socket - 24p	59-216
1105 0042	Wire Band	21-114
1105 0153	Clamp	13-108
1105 0260	Wire Saddle	13-109
1105 0267	Harness Clamp - YMC-10-0	27-107
1105 0267	Harness Clamp - YMC-10-0	45-106
1105 0267	Harness Clamp - YMC-10-0	37-106
1105 0267	Harness Clamp - YMC-10-0	41-109
1105 0283	Clamp	33-102

Part No.	Description	Page and Index No.
1105 0283	Clamp	13-106
1105 0283	Clamp	23-104
1105 0283	Clamp	35-110
1105 0283	Clamp	15-104
1105 0283	Clamp	43-113
1105 0291	Harness Clamp - LWS-3S	45-102
1105 0291	Harness Clamp - LWS-3S	41-110
1105 0291	Harness Clamp - LWS-3S	43-111
1105 0292	Wire Saddle	27-104
1105 0292	Wire Saddle	51-105
1105 0292	Wire Saddle	45-103
1105 0292	Wire Saddle	47-106
1105 0310	Harness Clamp - LWS-1S	15-101
1105 0310	Harness Clamp - LWS-1S	51-106
1105 0310	Harness Clamp - LWS-1S	17-105
1105 0316	Clamp	51-108
1105 0328	Harness Clamp - ES-0505	33-113
1105 0328	Harness Clamp - ES-0505	47-110
1107 0391	Fuse - 5A, 125V	47-111
1107 0392	Fuse - 6.3A 125V	47-112
1107 0393	Fuse (Glass Case) - 8A - 125V	45-110
1107 0719	Fuse - K19374/1a	59-116
1107 0772	Fuse - 5A 250V	45-110
1107 0932	Fuse	47-108
1107 0935	Fuse - 10A 125V	45-114
1204 2501	Main Switch	47-101
1400 0555	Transistor - DTC143EK	59-117
1400 0688	Transistor - DTC143ZUA	59-118
1401 1051	Transistor - 2SJ374	59-119
1402 0804	Silicon Diode - 45V - 0.3A	59-120
1402 1336	Diode - 1SS355	59-121
1402 1372	Silicon Diode - 1SR139-400	59-122
1403 0829	Diode - SEC1201C	59-123
1407 2231	IC - TD62308AF	59-124
1407 3281	IC - TC74HCU04AF	59-125

Part No.	Description	Page and Index No.
1407 4315	IC - TE7751	59-126
1407 4321	IC - TC74VHC04F	59-127
1407 4462	IC - UPD78217AGC-AB8	59-128
1407 4715	IC - 74VHC138 SOP	59-129
1407 4718	IC - TC74VHC08F	59-130
1407 4889	IC - 74VHC373 SOP	59-131
1407 4913	IC - 74VHCT244 SOP	59-132
1407 5084	CMOS IC - LOGIC 74VHC11F SOP	59-133
1407 5331	IC - TC7MB3245FK	59-134
1408 0286	NE555P	59-135
1408 0595	IC - NJM2904M	59-136
1408 0611	IC - 3771	59-137
1408 0826	IC - TA8428K	59-138
1408 0827	IC - TA8429H	59-139
1408 0914	IC UPC79N05H	59-140
1408 1134	Operational Amplifier - AD817AN	59-141
1408 1295	IC - UPC2933T	59-142
1408 1337	Series Regulator - TA78M18S	59-143
1408 1394	IC - STK672-110	59-144
1408 1410	IC - STK672-120	59-145
1408 1466	Series Regulator - TA78M05S	59-146
1502 0052	Buzzer - MEB-12c-5	59-147
1503 0701	Ceramic Oscillator - 11.059MHZ	59-148
1503 0727	Crystal Oscillator - CX-5F 20MHZ	59-149
1503 0849	Crystal Oscillator - 14.7456Mhz	59-150
1601 7780	Resistor	59-151
1601 7791	Resistor Array - 1K Ω \pm 5%	59-152
1601 7867	Resistor - 33 Ω \pm 5% 1/16W	59-153
1601 8148	Variable Resistor - 20K Ω 0.5W	59-154
1601 8186	Variable Resistor - 200K Ω	59-155
1604 1309	Capacitor - 1 μ F 16V	59-156
1605 0237	Capacitor - 0.033 μ F 25V	59-157
1605 0599	Capacitor - 0.1 μ F \pm 10%	59-158
1605 0744	Capacitor - EMK212F105Z	59-159
1605 0780	Capacitor - 0.022 μ F \pm 5% 25V	59-160

Part No.	Description	Page and Index No.
1606 0807	Capacitor - 0.1 μ F +80% -20% 50V	59-217
1606 0995	Capacitor - 10pF 50V	59-161
1606 1915	Capacitor - 0.0022 μ F	59-162
1607 0477	Coil - BLM21A121SPB	59-163
1607 0867	Inductor - BK2125HM601	59-164
1630 1101	Resistor - 100 Ω 1/4W \pm 5%	59-165
1630 1201	Resistor - 200 Ω \pm 5% 1/4W	59-166
1630 3101	Resistor - 100 Ω - 1/10W	59-167
1630 3102	Resistor - 1K Ω 1/10W \pm 5%	59-168
1630 3103	Resistor - 10K Ω 1/10W \pm 5%	59-169
1630 3105	Resistor - 1M Ω \pm 5% 1/10W	59-170
1630 3151	Resistor - 150 Ω \pm 5% 1/10W	59-171
1630 3163	Resistor - 16K Ω \pm 5% 1/10W	59-172
1630 3202	Resistor - 2K Ω -1/10W	59-173
1630 3244	Resistor - 240K Ω \pm 5% 1/10W	59-174
1630 3303	Resistor - 30K Ω \pm 5% 1/10W	59-175
1630 3330	Resistor - 33 Ω \pm 5% 1/10W	59-176
1630 3332	Resistor - 3.3K Ω 1/10W \pm 5%	59-177
1630 3471	Resistor - 470 Ω - 1/10W	59-178
1630 3472	Resistor - 4.7K Ω 1/10W \pm 5%	59-179
1630 3473	Resistor - 47K Ω 1/10W \pm 5%	59-180
1630 3514	Resistor - 510K Ω \pm 5% 1/10W	59-181
1630 3683	Resistor - 68K Ω \pm 5% 1/10W	59-182
1630 3824	Resistor - 820K Ω \pm 5% 1/10W	59-183
1633 0000	Resistor - 0 Ω 1/10W	59-184
1633 1001	Resistor - 1K Ω \pm 1% 1/10W	59-185
1633 1182	Resistor - 11.8K Ω \pm 1% 1/10W	59-186
1633 1201	Resistor - 1.2K Ω \pm 1% 1/10W	59-187
1633 1241	Resistor - 1.24k Ω - \pm 1%	59-188
1633 1501	Resistor - 1.5k Ω \pm 1% 1/10w	59-189
1633 2152	Resistor - 21.5K Ω \pm 1% 1/10W	59-190
1633 3002	Resistor - 30k Ω \pm 1% 1/10W	59-191
1633 3901	Resistor - 3.9 Ω \pm 1% 1/10W	59-193
1633 4421	Resistor - 4.42K Ω \pm 1% 1/10W	59-192
1633 4702	Resistor - 47K Ω \pm 1/10W	59-194

Part No.	Description	Page and Index No.
1633 5101	Resistor - 5.1K Ω \pm 1% 1/10W	59-195
1633 6341	Resistor - 6.34K Ω \pm 1% 1/10W	59-196
1633 8200	Resistor - 820 Ω \pm 1% 1/10W	59-197
1633 9101	Resistor - 9.1K Ω 1/10W	59-198
1633 9530	Resistor - 953 Ω \pm 1% 1/10W	59-199
1640 1101	Capacitor - 100 μ F - \pm 20% 16V	59-200
1640 2470	Capacitor - 47 μ F \pm 20% 25V	59-201
1640 3101	Capacitor - 100 μ F \pm 20% 35V	59-202
1640 5100	Capacitor - 10 μ F +20% 50	59-203
1660 2150	Capacitor - 15pF \pm 5% 50V	59-204
1660 2151	Capacitor - 150pF \pm 20% 35V	59-205
1660 2220	Capacitor - 22pF \pm 20% 35V	59-206
1660 2270	Capacitor - 27pF \pm 20% 35V	59-207
1660 2331	Capacitor - 330pF \pm 5% 50V	59-208
1660 2471	Capacitor - 470pF - \pm 5% - 50V	59-209
1660 3101	Capacitor - 100pF 50V	59-210
1660 5103	Capacitor - 10000pF \pm 10% 50V	59-211
1902 0040	SRAM 256K X8 70NS G9	59-212
1903 0001	IC - DRAM 16M 4MX4 60NS G1	59-213
1904 0013	SRAM - 256K X8 20NS G2	59-214
1905 0006	UVEPROM - 512K - X8 - 150NS	59- 6
1905 0009	UVEPROM - 1M - X8 - 150NS	59- 3

Part No.	Description	Page and Index No.